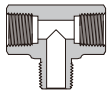
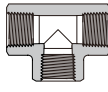
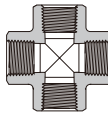
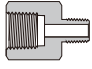
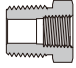
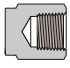




FOLOK™



FOLOK™

名称	图例	页码
阳螺纹接头		
短管螺纹接头 - CN		02
长管螺纹接头 - CN		02
六方阳螺纹接头 - HN		03
加长六方阳螺纹接头 - HLN		06
阴螺纹接头		
六方阴螺纹接头 - HC		07
阴螺纹活接头 - UBJ		08
螺纹弯头		
阳螺纹弯头 - ME		08
阴阳螺纹弯头 - ES		09
阴阳螺纹45°弯头 - VES		10
阴螺纹弯头 - EF		13
阴螺纹45°弯头 - VEF		14
螺纹三通、四通		
阳螺纹三通 - T		15
支管阴螺纹三通 - T		16
主管阴螺纹三通 - T		16
主管阳螺纹三通 - T		17

名称	图例	页码
支管阳螺纹三通 - T		18
阴螺纹三通 - T		19
阴螺纹四通 - C		20
其他螺纹接头及附件		
大阴小阳螺纹接头 - RA		21
大阳小阴螺纹接头 - RB		23
螺纹管帽 - HFC		25
螺纹堵头 - HMP		26
内六角螺纹堵头 - AP		27
订购信息		28

- ◎ 经硬化和抛光的螺纹延长了接头的寿命，避免了阴阳螺纹的咬合。
- ◎ 弯头通道圆弧连接，确保流体平稳流动。
- ◎ 每个接头上都刻有尺寸、材料和炉号。

- ◎ 尺寸范围从 1/16" 至 2"。
- ◎ 螺纹规格：

NPT 螺纹	ASME B1.20.1, SAE AS71051
ISO 锥螺纹	ISO 7-1, BS 21, JIS B0203
ISO 平行螺纹	ISO 228, JIS B0202
SAE/MS 螺纹	ASME B1.1, SAE J475
公制螺纹	ISO 261

- ◎ 工作温度：

FOLOK 螺纹接头的工作温度参考《FOLOK 卡套接头》样本第5页。

- ◎ 工作压力：

1. 样本所示工作压力值是在室温下以 ANSI/ASME B31.3 为基准。当要按 ANSI/ASME B31.1 标准确定工作压力时，将样本所示的工作压力乘以下表中的系数。

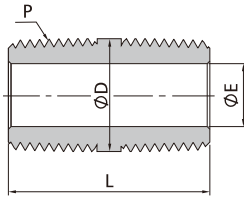
不锈钢	0.94
碳钢	0.85
铜	1.0

2. 要得到更高温度下的许用工作压力，用环境温度下的许用工作压力乘以升温系数。关于升温系数，请参阅FOLOK 不锈钢管样本第 2 页。

3. NPT 螺纹和 ISO 锥螺纹的安装力矩，请参考 FOLOK卡套接头样本第 1 页。

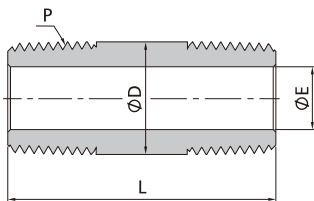
316 不锈钢	ASTM A276, ASME SA479, EN 1.4401	ASTM A182, ASME SA182, EN 1.4401	SS
304 不锈钢	ASTM A276, ASME SA479, EN 1.4301	ASTM A182, ASME SA182, EN 1.4301	S4
合金 400/R-405	ASTM B164, ASME SB164	ASTM B564 ASME SB564	M
合金 600	ASTM B166, ASME SB166	ASTM B564, ASME SB564	INC
合金 C-276	ASTM B574	ASTM B564,	HC
黄铜	ASME B16/ASTM B453	ASTM B283	B
碳钢	ASTM A108	ASTM A105	CS
904L 不锈钢	ASTM B649	ASTM A182	904L

- ◎ 不要在系统有压力的时候松开和紧固接头。
- ◎ 在锥管螺纹上始终使用适当的螺纹密封剂。
- ◎ 为了保证系统的有效密封，平行螺纹要选择合适的密封方式。

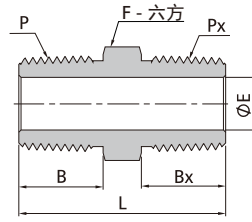


NPT						
P-NPT	mm			psig (bar)		
	L	D	E	316		
1/16 -CN-MN1	19.1	7.9	3.0	11000 (757)	5500 (378)	
1/8 -CN-MN2	19.1	10.3	4.8	10000 (689)	5000 (344)	
1/4 -CN-MN4	28.4	13.7	7.1	8000 (551)	4000 (275)	
3/8 -CN-MN6	28.4	17.1	9.6	7800 (537)	3900 (268)	
1/2 -CN-MN8	38.1	21.3	11.9	7700 (530)	3800 (261)	
3/4 -CN-MN12	38.1	26.7	15.7	7300 (502)	3600 (248)	
1 -CN-MN16	47.8	33.4	22.4	5300 (365)	2600 (179)	

ISO						
P-RZ	mm			psig (bar)		
	L	D	E	316		
1/16 -CN-RZ1	19.1	7.9	3.0	11000 (757)	5500 (378)	
1/8 -CN-RZ2	19.1	10.3	4.8	10000 (689)	5000 (344)	
1/4 -CN-RZ4	28.4	13.7	7.1	8000 (551)	4000 (275)	
3/8 -CN-RZ6	28.4	17.1	9.7	7800 (537)	3900 (268)	
1/2 -CN-RZ8	38.1	21.3	11.9	7700 (530)	3800 (261)	
3/4 -CN-RZ12	38.1	26.7	15.7	7300 (502)	3600 (248)	
1 -CN-RZ16	47.8	33.4	22.4	5300 (365)	2600 (179)	

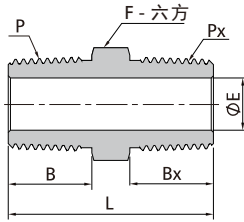


NPT						
P-NPT	mm			psig (bar)		
	L	D	E	316		
1/8 -CN-MN2-38.1	38.1	10.3	4.8	10000 (689)	5000 (344)	
1/8 -CN-MN2-50.8	50.8	10.3	4.8	10000 (689)	5000 (344)	
1/8 -CN-MN2-63.5	63.5	10.3	4.8	10000 (689)	5000 (344)	
1/8 -CN-MN2-76.2	76.2	10.3	4.8	10000 (689)	5000 (344)	
1/4 -CN-MN4-38.1	38.1	13.7	7.1	8000 (551)	4000 (275)	
1/4 -CN-MN4-50.8	50.8	13.7	7.1	8000 (551)	4000 (275)	
1/4 -CN-MN4-63.5	63.5	13.7	7.1	8000 (551)	4000 (275)	
1/4 -CN-MN4-76.2	76.2	13.7	7.1	8000 (551)	4000 (275)	
1/4 -CN-MN4-101.6	101.6	13.7	7.1	8000 (551)	4000 (275)	
3/8 -CN-MN6-38.1	38.1	17.1	9.7	7800 (537)	3900 (268)	
3/8 -CN-MN6-50.8	50.8	17.1	9.7	7800 (537)	3900 (268)	
3/8 -CN-MN6-63.5	63.5	17.1	9.7	7800 (537)	3900 (268)	
3/8 -CN-MN6-76.2	76.2	17.1	9.7	7800 (537)	3900 (268)	
3/8 -CN-MN6-101.6	101.6	17.1	9.7	7800 (537)	3900 (268)	
1/2 -CN-MN8-50.8	50.8	21.3	11.9	7700 (530)	3800 (261)	
1/2 -CN-MN8-76.2	76.2	21.3	11.9	7700 (530)	3800 (261)	
1/2 -CN-MN8-101.6	101.6	21.3	11.9	7700 (530)	3800 (261)	
1/2 -CN-MN8-152.4	152.4	21.3	11.9	7700 (530)	3800 (261)	
3/4 -CN-MN12-50.8	50.8	26.7	15.7	7300 (502)	3600 (248)	
3/4 -CN-MN12-76.2	76.2	26.7	15.7	7300 (502)	3600 (248)	
3/4 -CN-MN12-101.6	101.6	26.7	15.7	7300 (502)	3600 (248)	
1 -CN-MN16-76.2	76.2	33.4	22.4	5300 (365)	2600 (179)	
1 -CN-MN16-101.6	101.6	33.4	22.4	5300 (365)	2600 (179)	

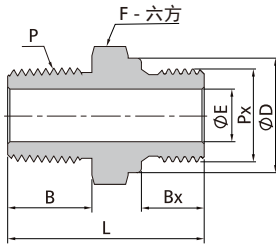


NPT									
P-NPT	Px-NPT		mm					psig (bar)	
			L	F	B	Bx	E	316	
1/16	1/16	-HN-MN1	25.6	7.9	9.7	9.7	3.0	11000 (757)	5500 (378)
1/8	1/16	-HN-MN2-MN1	25.6	11.1	9.7	9.7	3.0	11000 (757)	5500 (378)
1/8	1/8	-HN-MN2	25.6	11.1	9.7	9.7	4.8	10000 (689)	5000 (344)
1/4	1/16	-HN-MN4-MN1	31.0	14.3	14.2	9.7	3.0	11000 (757)	5500 (378)
1/4	1/8	-HN-MN4-MN2	31.0	14.3	14.2	9.7	4.8	10000 (689)	5000 (344)
1/4	1/4	-HN-MN4	35.6	14.3	14.2	14.2	7.1	8000 (551)	4000 (275)
3/8	1/16	-HN-MN6-MN1	31.8	17.5	14.2	9.7	3.0	11000 (757)	5500 (378)
3/8	1/8	-HN-MN6-MN2	31.8	17.5	14.2	9.7	4.8	10000 (689)	5000 (344)
3/8	1/4	-HN-MN6-MN4	36.3	17.5	14.2	14.2	7.1	8000 (551)	4000 (275)
3/8	3/8	-HN-MN6	36.3	17.5	14.2	14.2	9.7	7800 (537)	3900 (268)
1/2	1/8	-HN-MN8-MN2	37.3	22.2	19.1	9.7	4.8	7700 (530)	3800 (261)
1/2	1/4	-HN-MN8-MN4	41.9	22.2	19.1	14.2	7.1	8000 (551)	4000 (275)
1/2	3/8	-HN-MN8-MN6	41.9	22.2	19.1	14.2	9.7	7800 (537)	3900 (268)
1/2	1/2	-HN-MN8	46.7	22.2	19.1	19.1	11.9	7700 (530)	3800 (261)
3/4	1/8	-HN-MN12-MN2	40.4	27.0	19.1	9.7	4.8	10000 (689)	5000 (344)
3/4	1/4	-HN-MN12-MN4	41.9	27.0	19.1	14.2	7.1	8000 (551)	4000 (275)
3/4	3/8	-HN-MN12-MN6	45.2	27.0	19.1	14.2	9.7	7800 (537)	3900 (268)
3/4	1/2	-HN-MN12-MN8	46.7	27.0	19.1	19.1	11.9	7700 (530)	3800 (261)
3/4	3/4	-HN-MN12	46.7	27.0	19.1	19.1	15.7	7300 (502)	3600 (248)
1	1/8	-HN-MN16-MN2	45.2	34.9	23.9	9.7	4.8	10000 (689)	5000 (344)
1	1/4	-HN-MN16-MN4	49.3	34.9	23.9	14.2	7.1	5300 (365)	2600 (179)
1	3/8	-HN-MN16-MN6	50.0	34.9	23.9	14.2	9.7	7800 (537)	3900 (268)
1	1/2	-HN-MN16-MN8	54.1	34.9	23.9	19.1	11.9	7700 (530)	3800 (261)
1	3/4	-HN-MN16-MN12	54.1	34.9	23.9	19.1	15.7	7300 (502)	3600 (248)
1	1	-HN-MN16	58.9	34.9	23.9	23.9	22.4	5300 (365)	2600 (179)
1 1/4	1	-HN-MN20-MN16	62.2	44.5	23.9	23.9	22.4	5300 (365)	2600 (179)
1 1/4	1 1/4	-HN-MN20	62.9	44.5	23.9	23.9	28.6	6000 (410)	3000 (200)
1 1/2	1 1/2	-HN-MN24	66.3	50.8	26.2	26.2	34.0	5000 (344)	2500 (172)
2	2	-HN-MN32	77.7	69.9	26.2	26.2	45.0	3900 (268)	1900 (130)
NPT									
1/4	1/4	-HN-MN4-10K	35.6	14.3	14.2	14.2	5.8	10000 (689)	/
1/2	1/4	-HN-MN8-MN4-10K	41.9	22.2	19.1	14.2	5.8	10000 (689)	/
1/2	1/2	-HN-MN8-10K	46.7	22.2	19.1	19.1	9.9	10000 (689)	/

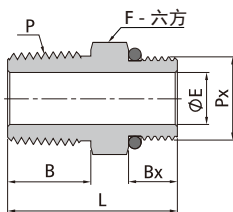
ISO									
P-RZ	Px-RZ		mm					psig (bar)	
			L	F	B	Bx	E	316	
1/8	1/8	-HN-RZ2	25.6	11.1	9.7	9.7	4.8	10000 (689)	5000 (344)
1/4	1/4	-HN-RZ4	35.6	14.3	14.2	14.2	7.1	8000 (551)	4000 (275)
3/8	3/8	-HN-RZ6	36.3	17.5	14.2	14.2	9.7	7800 (537)	3900 (268)
1/2	1/2	-HN-RZ8	46.7	22.2	19.1	19.1	11.9	7700 (530)	3800 (261)
3/4	3/4	-HN-RZ12	46.7	27.0	19.1	19.1	15.7	7300 (502)	3600 (248)
1	1	-HN-RZ16	58.9	34.9	23.9	23.9	22.4	5300 (365)	2600 (179)



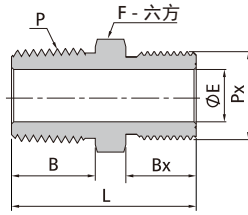
NPT			ISO							
P-NPT	Px-RZ		mm					psig (bar)		
			L	F	B	Bx	E	316		
1/8	1/8	-HN-MN2-RZ2	25.6	11.1	9.7	9.7	4.8	10000 (689)	5000 (344)	
1/4	1/4	-HN-MN4-RZ4	35.6	14.3	14.2	14.2	7.1	8000 (551)	4000 (275)	
3/8	3/8	-HN-MN6-RZ6	36.3	17.5	14.2	14.2	9.7	7800 (537)	3900 (268)	
1/2	1/2	-HN-MN8-RZ8	46.7	22.2	19.1	19.1	11.9	7700 (530)	3800 (261)	
3/4	3/4	-HN-MN12-RZ12	46.7	27.0	19.1	19.1	15.7	7300 (502)	3600 (248)	
1	1	-HN-MN16-RZ16	58.9	34.9	23.9	23.9	22.4	5300 (365)	2600 (179)	



NPT			ISO							
P-NPT	Px-RS		mm					psig (bar)		
			L	F	B	Bx	E	D	316	
1/8	1/8	-HN-MN2-SRS2	27.7	14.3	9.7	7.1	4.1	13.7	11400 (785)	5700 (392)
1/4	1/4	-HN-MN4-SRS4	36.8	19.1	14.2	11.2	5.8	18.0	10300 (709)	5100 (351)
3/8	3/8	-HN-MN6-SRS6	37.6	22.2	14.2	11.2	7.9	21.6	10300 (709)	5100 (351)
1/2	1/2	-HN-MN8-SRS8	44.4	27.0	19.1	14.2	11.9	25.9	7600 (523)	3800 (261)
3/4	3/4	-HN-MN12-SRS12	49.0	33.3	19.1	15.7	15.7	32.0	7300 (502)	3600 (248)
1	1	-HN-MN16-SRS16	56.6	41.3	23.9	18.3	19.8	38.9	7400 (509)	3700 (254)

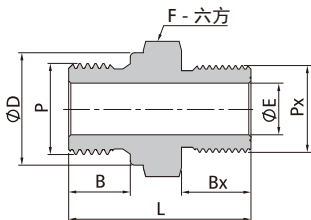


NPT			SAE/MS						
P-NPT	Px-SAE/MS		mm					psig (bar)	
			L	F	B	Bx	E	316	
1/4	7/16-20	-HN-MN4-ST7	30.5	14.3	14.2	9.1	5.1	4500 (310)	
3/8	9/16-18	-HN-MN6-ST9	32.0	17.5	14.2	9.1	7.1	4500 (310)	
1/2	3/4-16	-HN-MN8-ST12	38.9	22.2	19.1	11.2	10.7	4500 (310)	
3/4	1 1/16-12	-HN-MN12-ST17	44.4	31.8	19.1	15.0	15.7	3600 (248)	
1	1 5/16-12	-HN-MN16-ST21	50.8	38.1	23.9	15.0	22.4	2900 (199)	

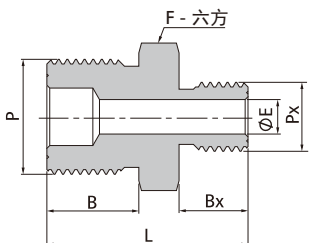


NPT									
P-NPT	Px-	mm					psig (bar)		
		L	F	B	Bx	E			
1/8	M20 x 1.5	-HN-MN2-MRS20	32.7	22.2	9.7	16	5.0	7700 (530)	
1/4	M8 x 1	-HN-MN4-MRS8	29.0	14.3	14.2	9	3.2	8000 (551)	
1/4	M14 x 1.5	-HN-MN4-MRS14	34.2	15.9	14.2	13	7.0	8000 (551)	
1/4	M16 x 1.5	-HN-MN4-MRS16	35.2	17.5	14.2	14	7.1	7800 (537)	
1/4	M20 x 1.5	-HN-MN4-MRS20	37.2	22.2	14.2	16	7.1	7700 (530)	
3/8	M14 x 1.5	-HN-MN6-MRS14	34.2	17.5	14.2	13	7.0	7800 (537)	
3/8	M20 x 1.5	-HN-MN6-MRS20	37.2	22.2	14.2	16	9.5	7700 (530)	
3/8	M24 x 1.5	-HN-MN6-MRS24	38.2	25.4	14.2	17	9.5	7400 (509)	
1/2	M14 x 1.5	-HN-MN8-MRS14	39.1	22.2	19.1	13	7.2	7700 (530)	
1/2	M20 x 1.5	-HN-MN8-MRS20	42.0	22.2	19.1	16	10.0	7700 (530)	
1/2	M24 x 1.5	-HN-MN8-MRS24	43.5	25.4	19.1	17	11.9	7400 (509)	
3/4	M20 x 1.5	-HN-MN12-MRS20	42.1	27.0	19.1	16	10.8	7300 (502)	
3/4	M27 x 2	-HN-MN12-MRS27	46.7	31.8	19.1	18	15.8	6100 (420)	
1	M30 x 2	-HN-MN16-MRS30	56.3	34.9	23.9	20	19.4	6100 (420)	

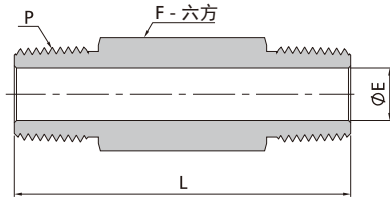
ISO									
P-RZ	Px-	mm					psig (bar)		
		L	F	B	Bx	E			
1/8	M20 x 1.5	-HN-RZ2-MRS20	32.7	22.2	9.7	16	5.0	7700 (530)	
1/4	M12 x 1.5	-HN-RZ4-MRS12	33.4	14.3	14.2	12	6.0	8000 (551)	
1/4	M20 x 1.5	-HN-RZ4-MRS20	37.2	22.2	14.2	16	7.0	7700 (530)	
3/8	M20 x 1.5	-HN-RZ6-MRS20	37.2	22.2	14.2	16	9.5	7700 (530)	
1/2	M20 x 1.5	-HN-RZ8-MRS20	42.0	22.2	19.1	16	10.0	7700 (530)	



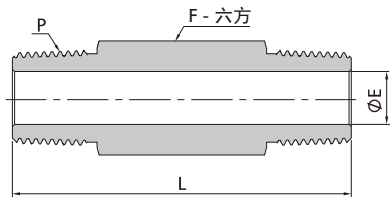
ISO									
P-RS	Px-	mm					psig (bar)		
		L	F	B	Bx	E			
1/8	M20 x 1.5	-HN-SRS2-MRS20	32.6	22.2	7.1	16	4.0	13.7	7700 (530)
1/4	M18 x 1.5	-HN-SRS4-MRS18	34.2	20.6	11.2	15	5.9	18.0	7800 (537)
1/4	M20 x 1.5	-HN-SRS4-MRS20	37.2	22.2	11.2	16	5.9	18.0	7700 (530)
3/8	M20 x 1.5	-HN-SRS6-MRS20	37.2	22.2	11.2	16	7.9	21.6	7700 (530)
1/2	M20 x 1.5	-HN-SRS8-MRS20	40.2	27.0	14.0	16	11.9	25.9	7700 (530)



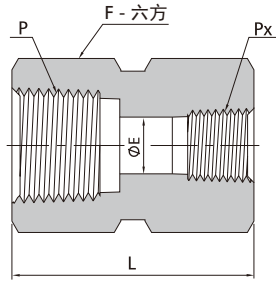
P-	Px-	mm					psig (bar)	
		L	F	B	Bx	E		
M20 x 1.5	M10 x 1	-HN-MRS20-MRS10	34.0	22	16	11	4.0	10000 (689)
M20 x 1.5	M12 x 1.5	-HN-MRS20-MRS12	35.0	22	16	12	6.0	9000 (620)
M20 x 1.5	M14 x 1.5	-HN-MRS20-MRS14	36.0	22	16	13	7.2	8000 (551)
M20 x 1.5	M16 x 1.5	-HN-MRS20-MRS16	37.0	22	16	14	9.0	7800 (537)
M20 x 1.5	M20 x 1.5	-HN-MRS20	39.0	22	16	16	10.8	7700 (530)
M27 x 2	M27 x 2	-HN-MRS27	44.5	30	18	18	16.1	7300 (502)



NPT							
P-NPT		mm			psig (bar)		
		L	F	E	316		
1/8	-HLN-MN2-38.1	38.1	11.1	4.8	10000 (689)	5000 (344)	
1/8	-HLN-MN2-50.8	50.8	11.1	4.8	10000 (689)	5000 (344)	
1/8	-HLN-MN2-63.5	63.5	11.1	4.8	10000 (689)	5000 (344)	
1/8	-HLN-MN2-76.2	76.2	11.1	4.8	10000 (689)	5000 (344)	
1/4	-HLN-MN4-38.1	38.1	14.3	7.1	8000 (551)	4000 (275)	
1/4	-HLN-MN4-50.8	50.8	14.3	7.1	8000 (551)	4000 (275)	
1/4	-HLN-MN4-63.5	63.5	14.3	7.1	8000 (551)	4000 (275)	
1/4	-HLN-MN4-76.2	76.2	14.3	7.1	8000 (551)	4000 (275)	
1/4	-HLN-MN4-101.6	101.6	14.3	7.1	8000 (551)	4000 (275)	
3/8	-HLN-MN6-38.1	38.1	17.5	9.7	7800 (537)	3900 (268)	
3/8	-HLN-MN6-50.8	50.8	17.5	9.7	7800 (537)	3900 (268)	
3/8	-HLN-MN6-63.5	63.5	17.5	9.7	7800 (537)	3900 (268)	
3/8	-HLN-MN6-76.2	76.2	17.5	9.7	7800 (537)	3900 (268)	
3/8	-HLN-MN6-101.6	101.6	17.5	9.7	7800 (537)	3900 (268)	
1/2	-HLN-MN8-50.8	50.8	22.2	11.9	7700 (530)	3800 (261)	
1/2	-HLN-MN8-76.2	76.2	22.2	11.9	7700 (530)	3800 (261)	
1/2	-HLN-MN8-101.6	101.6	22.2	11.9	7700 (530)	3800 (261)	
1/2	-HLN-MN8-152.4	152.4	22.2	11.9	7700 (530)	3800 (261)	
3/4	-HLN-MN12-50.8	50.8	27.0	15.7	7300 (502)	3600 (248)	
3/4	-HLN-MN12-76.2	76.2	27.0	15.7	7300 (502)	3600 (248)	
3/4	-HLN-MN12-101.6	101.6	27.0	15.7	7300 (502)	3600 (248)	
1	-HLN-MN16-76.2	76.2	34.9	22.4	5300 (365)	2600 (179)	
1	-HLN-MN16-101.6	101.6	34.9	22.4	5300 (365)	2600 (179)	



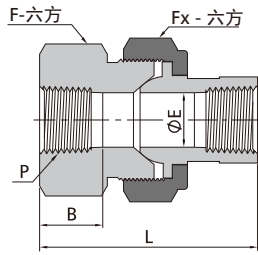
ISO							
P-RZ		mm			psig (bar)		
		L	F	E	316		
1/8	-HLN-RZ2-38.1	38.1	11.1	4.8	10000 (689)	5000 (344)	
1/8	-HLN-RZ2-50.8	50.8	11.1	4.8	10000 (689)	5000 (344)	
1/8	-HLN-RZ2-63.5	63.5	11.1	4.8	10000 (689)	5000 (344)	
1/8	-HLN-RZ2-76.2	76.2	11.1	4.8	10000 (689)	5000 (344)	
1/4	-HLN-RZ4-38.1	38.1	14.3	7.1	8000 (551)	4000 (275)	
1/4	-HLN-RZ4-50.8	50.8	14.3	7.1	8000 (551)	4000 (275)	
1/4	-HLN-RZ4-63.5	63.5	14.3	7.1	8000 (551)	4000 (275)	
1/4	-HLN-RZ4-76.2	76.2	14.3	7.1	8000 (551)	4000 (275)	
1/4	-HLN-RZ4-101.6	101.6	14.3	7.1	8000 (551)	4000 (275)	
3/8	-HLN-RZ6-38.1	38.1	17.5	9.7	7800 (537)	3900 (268)	
3/8	-HLN-RZ6-50.8	50.8	17.5	9.7	7800 (537)	3900 (268)	
3/8	-HLN-RZ6-63.5	63.5	17.5	9.7	7800 (537)	3900 (268)	
3/8	-HLN-RZ6-76.2	76.2	17.5	9.7	7800 (537)	3900 (268)	
3/8	-HLN-RZ6-101.6	101.6	17.5	9.7	7800 (537)	3900 (268)	
1/2	-HLN-RZ8-50.8	50.8	22.2	11.9	7700 (530)	3800 (261)	
1/2	-HLN-RZ8-76.2	76.2	22.2	11.9	7700 (530)	3800 (261)	
1/2	-HLN-RZ8-101.6	101.6	22.2	11.9	7700 (530)	3800 (261)	
1/2	-HLN-RZ8-152.4	152.4	22.2	11.9	7700 (530)	3800 (261)	
3/4	-HLN-RZ12-50.8	50.8	27.0	15.7	7300 (502)	3600 (248)	
3/4	-HLN-RZ12-76.2	76.2	27.0	15.7	7300 (502)	3600 (248)	
3/4	-HLN-RZ12-101.6	101.6	27.0	15.7	7300 (502)	3600 (248)	
1	-HLN-RZ16-76.2	76.2	34.9	22.4	5300 (365)	2600 (179)	
1	-HLN-RZ16-101.6	101.6	34.9	22.4	5300 (365)	2600 (179)	



NPT							
P-NPT	Px-NPT		mm			psig (bar)	
			L	F	E	316	
1/16	1/16	-HC-FN1	19.8	11.1	4.8	6700 (460)	3300 (227)
1/8	1/8	-HC-FN2	20.6	14.3	8.6	6500 (447)	3200 (220)
1/4	1/8	-HC-FN4-FN2	31.0	19.1	8.6	6600 (454)	3300 (227)
1/4	1/4	-HC-FN4	30.2	19.1	11.4	6600 (454)	3300 (227)
3/8	1/4	-HC-FN6-FN4	35.1	22.2	11.4	5300 (365)	2600 (179)
3/8	3/8	-HC-FN6	33.3	22.2	15.0	5300 (365)	2600 (179)
1/2	1/8	-HC-FN8-FN2	39.6	27.0	8.6	4900 (337)	2400 (165)
1/2	1/4	-HC-FN8-FN4	44.4	27.0	11.4	4900 (337)	2400 (165)
1/2	3/8	-HC-FN8-FN6	45.2	27.0	15.0	4900 (337)	2400 (165)
1/2	1/2	-HC-FN8	39.6	27.0	18.5	4900 (337)	2400 (165)
3/4	1/4	-HC-FN12-FN4	46.0	33.3	11.4	4600 (316)	2300 (158)
3/4	1/2	-HC-FN12-FN8	52.3	33.3	18.5	4600 (316)	2300 (158)
3/4	3/4	-HC-FN12	41.1	33.3	23.9	4600 (316)	2300 (158)
1	1/2	-HC-FN16-FN8	55.6	41.3	18.5	4400 (303)	2200 (151)
1	3/4	-HC-FN16-FN12	57.2	41.3	23.9	4400 (303)	2200 (151)
1	1	-HC-FN16	50.8	41.3	29.7	4400 (303)	2200 (151)

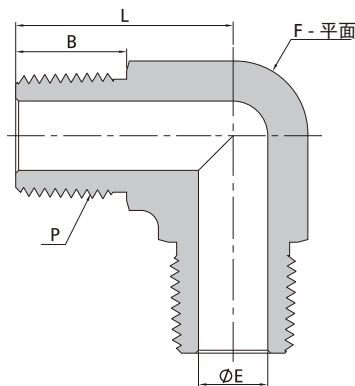
NPT							
P-NPT	Px-NPT		L	F	E	316	psig (bar)
1/4	1/4	-HC-FN4-10K	30.2	25.4	11.4	10000 (689)	/
1/2	1/2	-HC-FN8-10K	39.6	38.1	18.5	10000 (689)	/
1/2	1/4	-HC-FN8-FN4-10K	44.4	38.1	11.4	10000 (689)	/

ISO							
P-RC	Px-RC		mm			psig (bar)	
			L	F	E	316	
1/8	1/8	-HC-RC2	20.6	14.3	8.4	6500 (447)	3200 (220)
1/4	1/4	-HC-RC4	30.2	19.1	11.2	6600 (454)	3300 (227)
3/8	1/4	-HC-RC6-RC4	35.1	22.2	11.2	5300 (365)	2600 (179)
3/8	3/8	-HC-RC6	33.3	22.2	14.7	5300 (365)	2600 (179)
1/2	1/4	-HC-RC8-RC4	44.4	27.0	11.2	4900 (337)	2400 (165)
1/2	3/8	-HC-RC8-RC6	45.2	27.0	14.7	4900 (337)	2400 (165)
1/2	1/2	-HC-RC8	39.6	27.0	18.3	4900 (337)	2400 (165)



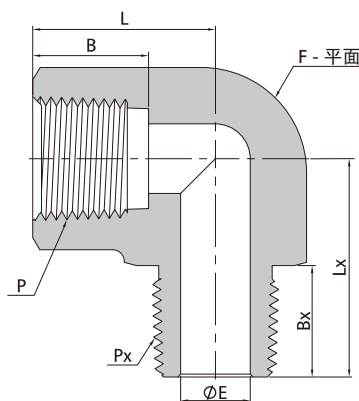
NPT							
P-NPT	mm					psig (bar)	
	L	F	Fx	B	E	316	
1/8	-UBJ-FN2	46.0	23.8	28.6	10.4	6.8	8400 (578)
1/4	-UBJ-FN4	59.4	30.2	34.9	15.0	9.1	6600 (454)
3/8	-UBJ-FN6	63.5	33.3	38.1	15.0	13.2	5300 (365)
1/2	-UBJ-FN8	68.3	41.3	44.5	19.8	15.7	6000 (410)
3/4	-UBJ-FN12	79.2	47.6	54.0	20.6	22.4	4600 (316)
1	-UBJ-FN16	90.4	60.3	63.5	25.4	26.2	6800 (468)

ISO							
P-RC	mm					psig (bar)	
	L	F	Fx	B	E	316	
1/8	-UBJ-RC2	46.0	23.8	28.6	10.4	6.8	8400 (578)
1/4	-UBJ-RC4	59.4	30.2	34.9	15.0	9.1	6600 (454)
3/8	-UBJ-RC6	63.5	33.3	38.1	15.0	13.2	5300 (365)
1/2	-UBJ-RC8	68.3	41.3	44.5	19.8	15.7	6000 (410)
3/4	-UBJ-RC12	79.2	47.6	54.0	20.6	22.4	4600 (316)
1	-UBJ-RC16	90.4	60.3	63.5	25.4	26.2	6800 (468)

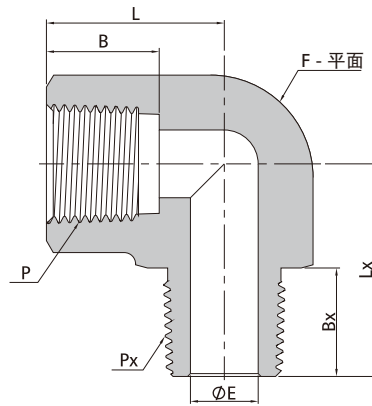


NPT							
P-NPT	mm				psig (bar)		
	L	F	B	E	316		
1/16	-ME-MN1	18.3	9.5	9.7	3.0	11000 (757)	5500 (378)
1/8	-ME-MN2	22.4	11.1	9.7	4.8	10000 (689)	5000 (344)
1/4	-ME-MN4	26.7	12.7	14.2	7.1	8000 (551)	4000 (275)
3/8	-ME-MN6	29.7	17.5	14.2	9.6	7800 (537)	3900 (268)
1/2	-ME-MN8	36.8	20.6	19.1	11.9	7700 (530)	3800 (261)
3/4	-ME-MN12	40.4	27.0	19.1	15.7	7300 (502)	3600 (248)
1	-ME-MN16	50.0	34.9	23.9	22.4	5300 (365)	2600 (179)

ISO							
P-RZ	mm				psig (bar)		
	L	F	B	E	316		
1/16	-ME-RZ1	18.3	9.5	9.7	3.0	11000 (757)	5500 (378)
1/8	-ME-RZ2	22.4	11.1	9.7	4.8	10000 (689)	5000 (344)
1/4	-ME-RZ4	26.7	12.7	14.2	7.1	8000 (551)	4000 (275)
3/8	-ME-RZ6	29.7	17.5	14.2	9.6	7800 (537)	3900 (268)
1/2	-ME-RZ8	36.8	20.6	19.1	11.9	7700 (530)	3800 (261)
3/4	-ME-RZ12	40.4	27.0	19.1	15.7	7300 (502)	3600 (248)
1	-ME-RZ16	50.0	34.9	23.9	22.4	5300 (365)	2600 (179)

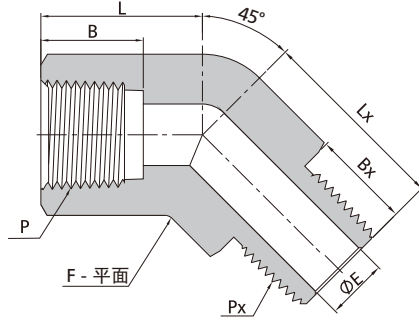


NPT			NPT								
P-NPT	Px-NPT		mm							psig (bar)	
			L	F	B	E	Lx	Bx	316		
1/16	1/16	-ES-FN1-MN1	21.8	11.1	9.9	3.0	22.4	9.7	9200 (633)	4600 (316)	
1/16	1/8	-ES-FN1-MN2	21.8	11.1	9.9	4.8	22.4	9.7	9200 (633)	4600 (316)	
1/16	1/4	-ES-FN1-MN4	22.4	14.3	9.9	4.8	27.7	14.2	8000 (551)	4000 (275)	
1/16	3/8	-ES-FN1-MN6	22.4	17.5	9.9	4.8	29.7	14.2	7800 (537)	3900 (268)	
1/8	1/16	-ES-FN2-MN1	26.4	12.7	10.4	3.0	22.1	9.7	6200 (426)	3100 (213)	
1/8	1/8	-ES-FN2-MN2	26.4	12.7	10.4	4.8	22.1	9.7	6200 (426)	3100 (213)	
1/8	1/4	-ES-FN2-MN4	22.4	14.3	10.4	7.1	27.7	14.2	6500 (447)	3200 (220)	
1/8	3/8	-ES-FN2-MN6	22.4	17.5	10.4	7.1	29.7	14.2	7800 (537)	3900 (268)	
1/8	1/2	-ES-FN2-MN8	24.1	20.6	10.4	7.1	36.8	19.1	7700 (530)	3800 (261)	
1/8	3/4	-ES-FN2-MN12	25.4	27.0	10.4	7.1	40.4	19.1	7300 (502)	3600 (248)	
1/8	1	-ES-FN2-MN16	26.4	34.9	10.4	7.1	50.0	23.9	5300 (365)	2600 (179)	
1/4	1/8	-ES-FN4-MN2	29.7	17.5	15.0	4.8	25.4	9.7	7200 (496)	3600 (248)	
1/4	1/4	-ES-FN4-MN4	29.7	17.5	15.0	7.1	29.7	14.2	7200 (496)	3600 (248)	
1/4	3/8	-ES-FN4-MN6	29.7	17.5	15.0	8.6	29.7	14.2	7200 (496)	3600 (248)	
1/4	1/2	-ES-FN4-MN8	25.4	20.6	15.0	8.6	36.8	19.1	7200 (496)	3600 (248)	
1/4	3/4	-ES-FN4-MN12	25.4	27.0	15.0	8.6	40.4	19.1	7300 (502)	3600 (248)	
1/4	1	-ES-FN4-MN16	41.4	34.9	15.0	8.6	50.0	23.9	5300 (365)	2600 (179)	
3/8	1/4	-ES-FN6-MN4	36.1	20.6	15.0	7.1	32.0	14.2	5600 (385)	2800 (192)	
3/8	3/8	-ES-FN6-MN6	36.1	20.6	15.0	9.6	32.0	14.2	5600 (385)	2800 (192)	
3/8	1/2	-ES-FN6-MN8	36.1	20.6	15.0	11.9	36.8	19.1	5600 (385)	2800 (192)	
3/8	3/4	-ES-FN6-MN12	31.2	27.0	15.0	11.9	40.4	19.1	7300 (502)	3600 (248)	
3/8	1	-ES-FN6-MN16	41.4	34.9	15.0	11.9	50.0	23.9	5300 (365)	2600 (179)	
1/2	1/4	-ES-FN8-MN4	39.6	25.4	19.8	7.1	35.1	14.2	5600 (385)	2800 (192)	
1/2	3/8	-ES-FN8-MN6	39.6	25.4	19.8	9.6	35.1	14.2	5600 (385)	2800 (192)	
1/2	1/2	-ES-FN8-MN8	39.6	25.4	19.8	11.9	39.6	19.1	5600 (385)	2800 (192)	
1/2	3/4	-ES-FN8-MN12	31.2	27.0	19.8	15.7	40.4	19.1	5600 (385)	2800 (192)	
1/2	1	-ES-FN8-MN16	41.4	34.9	19.8	15.7	50.0	23.9	5300 (365)	2600 (179)	
3/4	3/4	-ES-FN12-MN12	48.8	31.8	20.6	15.7	42.4	19.1	5100 (351)	2500 (172)	
3/4	1	-ES-FN12-MN16	41.4	34.9	20.6	22.4	50.0	23.9	5100 (351)	2500 (172)	
1	1	-ES-FN16-MN16	48.5	42.9	25.4	22.4	49.3	23.9	5300 (365)	2600 (179)	
1 1/4	1 1/4	-ES-FN20-MN20	60.5	50.8	25.4	31.8	60.5	23.9	3100 (213)	1600 (110)	



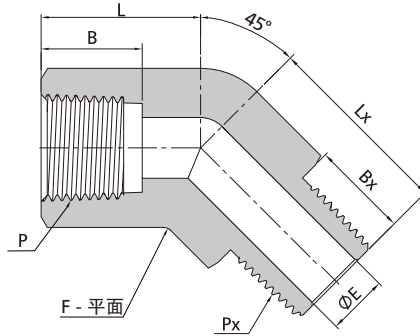
ISO			ISO							
P-RC	Px-RZ		mm						psig (bar)	
			L	F	B	E	Lx	Bx	316	
1/16	1/16	-ES-RC1-RZ1	21.8	11.1	9.9	3.0	22.4	9.7	9200 (633)	4600 (316)
1/16	1/8	-ES-RC1-RZ2	21.8	11.1	9.9	4.8	22.4	9.7	9200 (633)	4600 (316)
1/16	1/4	-ES-RC1-RZ4	22.4	14.3	9.9	4.8	27.7	14.2	8000 (551)	4000 (275)
1/16	3/8	-ES-RC1-RZ6	22.4	17.5	9.9	4.8	29.7	14.2	7800 (537)	3900 (268)
1/8	1/16	-ES-RC2-RZ1	26.4	12.7	10.4	3.0	22.1	9.7	6200 (426)	3100 (213)
1/8	1/8	-ES-RC2-RZ2	26.4	12.7	10.4	4.8	22.1	9.7	6200 (426)	3100 (213)
1/8	1/4	-ES-RC2-RZ4	22.4	14.3	10.4	7.1	27.7	14.2	6500 (447)	3200 (220)
1/8	3/8	-ES-RC2-RZ6	22.4	17.5	10.4	7.1	29.7	14.2	7800 (537)	3900 (268)
1/8	1/2	-ES-RC2-RZ8	24.1	20.6	10.4	7.1	36.8	19.1	7700 (530)	3800 (261)
1/8	3/4	-ES-RC2-RZ12	25.4	27.0	10.4	7.1	40.4	19.1	7300 (502)	3600 (248)
1/8	1	-ES-RC2-RZ16	26.4	34.9	10.4	7.1	50.0	23.9	5300 (365)	2600 (179)
1/4	1/8	-ES-RC4-RZ2	29.7	17.5	15.0	4.8	25.4	9.7	7200 (496)	3600 (248)
1/4	1/4	-ES-RC4-RZ4	29.7	17.5	15.0	7.1	29.7	14.2	7200 (496)	3600 (248)
1/4	3/8	-ES-RC4-RZ6	29.7	17.5	15.0	8.6	29.7	14.2	7200 (496)	3600 (248)
1/4	1/2	-ES-RC4-RZ8	25.4	20.6	15.0	8.6	36.8	19.1	7200 (496)	3600 (248)
1/4	3/4	-ES-RC4-RZ12	25.4	27.0	15.0	8.6	40.4	19.1	7300 (502)	3600 (248)
1/4	1	-ES-RC4-RZ16	41.4	34.9	15.0	8.6	50.0	23.9	5300 (365)	2600 (179)
3/8	1/4	-ES-RC6-RZ4	36.1	20.6	15.0	7.1	32.0	14.2	5600 (385)	2800 (192)
3/8	3/8	-ES-RC6-RZ6	36.1	20.6	15.0	9.6	32.0	14.2	5600 (385)	2800 (192)
3/8	1/2	-ES-RC6-RZ8	36.1	20.6	15.0	11.9	36.8	19.1	5600 (385)	2800 (192)
3/8	3/4	-ES-RC6-RZ12	31.2	27.0	15.0	11.9	40.4	19.1	7300 (502)	3600 (248)
3/8	1	-ES-RC6-RZ16	41.4	34.9	15.0	11.9	50.0	23.9	5300 (365)	2600 (179)
1/2	1/4	-ES-RC8-RZ4	39.6	25.4	19.8	7.1	35.1	14.2	5600 (385)	2800 (192)
1/2	3/8	-ES-RC8-RZ6	39.6	25.4	19.8	9.6	35.1	14.2	5600 (385)	2800 (192)
1/2	1/2	-ES-RC8-RZ20	39.6	25.4	19.8	11.9	39.6	19.1	5600 (385)	2800 (192)
1/2	3/4	-ES-RC8-RZ12	31.2	27.0	19.8	15.7	40.4	19.1	5600 (385)	2800 (192)
1/2	1	-ES-RC8-RZ16	41.4	34.9	19.8	15.7	50.0	23.9	5300 (365)	2600 (179)
3/4	3/4	-ES-RC12-RZ12	48.8	31.8	20.6	15.7	42.4	19.1	5100 (351)	2500 (172)
3/4	1	-ES-RC12-RZ16	41.4	34.9	20.6	22.4	50.0	23.9	5100 (351)	2500 (172)
1	1	-ES-RC16-RZ16	48.5	42.9	25.4	22.4	49.3	23.9	5300 (365)	2600 (179)
1 1/4	1 1/4	-ES-RC20-RZ20	60.5	50.8	25.4	31.8	60.5	23.9	3100 (213)	1600 (110)

45°

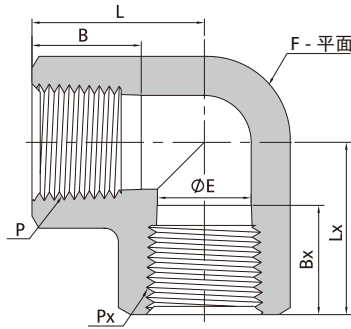


NPT			NPT							
P-NPT	Px-NPT		mm						psig (bar)	
			L	F	B	E	Lx	Bx	316	
1/16	1/16	-VES-FN1-MN1	16.8	11.1	9.9	3.0	16.8	9.7	9200 (633)	4600 (316)
1/16	1/8	-VES-FN1-MN2	16.8	11.1	9.9	4.8	16.8	9.7	9200 (633)	4600 (316)
1/16	1/4	-VES-FN1-MN4	16.8	14.3	9.9	4.8	21.8	14.2	8000 (551)	4000 (275)
1/16	3/8	-VES-FN1-MN6	22.4	17.5	9.9	4.8	23.8	14.2	7800 (537)	3900 (268)
1/8	1/16	-VES-FN2-MN1	20.2	12.7	10.4	3.0	17.2	9.7	6200 (426)	3100 (213)
1/8	1/8	-VES-FN2-MN2	20.2	12.7	10.4	4.8	17.2	9.7	6200 (426)	3100 (213)
1/8	1/4	-VES-FN2-MN4	16.8	14.3	10.4	7.1	21.8	14.2	6500 (447)	3200 (220)
1/8	3/8	-VES-FN2-MN6	22.4	17.5	10.4	7.1	23.8	14.2	7800 (537)	3900 (268)
1/8	1/2	-VES-FN2-MN8	22.2	20.6	10.4	7.1	29.0	19.1	7700 (530)	3800 (261)
1/8	3/4	-VES-FN2-MN12	25.4	27.0	10.4	7.1	30.5	19.1	7300 (502)	3600 (248)
1/8	1	-VES-FN2-MN16	26.4	34.9	10.4	7.1	49.3	23.9	5300 (365)	2600 (179)
1/4	1/8	-VES-FN4-MN2	25.4	17.5	15.0	4.8	19.3	9.7	7200 (496)	3600 (248)
1/4	1/4	-VES-FN4-MN4	25.4	17.5	15.0	7.1	19.3	14.2	7200 (496)	3600 (248)
1/4	3/8	-VES-FN4-MN6	25.4	17.5	15.0	8.6	23.8	14.2	7200 (496)	3600 (248)
1/4	1/2	-VES-FN4-MN8	22.2	20.6	15.0	8.6	29.0	19.1	7200 (496)	3600 (248)
1/4	3/4	-VES-FN4-MN12	25.4	27.0	15.0	8.6	30.5	19.1	7300 (502)	3600 (248)
1/4	1	-VES-FN4-MN16	32.0	34.9	15.0	8.6	37.6	23.9	5300 (365)	2600 (179)
3/8	1/4	-VES-FN6-MN4	27.0	20.6	15.0	7.1	24.2	14.2	5600 (385)	2800 (192)
3/8	3/8	-VES-FN6-MN6	27.0	20.6	15.0	9.6	24.2	14.2	5600 (385)	2800 (192)
3/8	1/2	-VES-FN6-MN8	27.0	20.6	15.0	11.9	29.0	19.1	5600 (385)	2800 (192)
3/8	3/4	-VES-FN6-MN12	27.0	27.0	15.0	11.9	30.5	19.1	7300 (502)	3600 (248)
3/8	1	-VES-FN6-MN16	32.0	34.9	15.0	11.9	37.6	23.9	5300 (365)	2600 (179)
1/2	1/4	-VES-FN8-MN4	32.0	25.4	19.8	7.1	25.2	14.2	5600 (385)	2800 (192)
1/2	3/8	-VES-FN8-MN6	32.0	25.4	19.8	9.6	25.2	14.2	5600 (385)	2800 (192)
1/2	1/2	-VES-FN8-MN8	32.0	25.4	19.8	11.9	32.0	19.1	5600 (385)	2800 (192)
1/2	3/4	-VES-FN8-MN12	32.5	27.0	19.8	15.7	30.5	19.1	5600 (385)	2800 (192)
1/2	1	-VES-FN8-MN16	37.6	34.9	19.8	15.7	37.6	23.9	5300 (365)	2600 (179)
3/4	3/4	-VES-FN12-MN12	34.5	31.8	20.6	15.7	34.5	19.1	5100 (351)	2500 (172)
3/4	1	-VES-FN12-MN16	37.6	34.9	20.6	22.4	37.6	23.9	5100 (351)	2500 (172)
1	1	-VES-FN16-MN16	46.0	42.9	25.4	22.4	46.0	23.9	5300 (365)	2600 (179)
1 1/4	1 1/4	-VES-FN20-MN20	50.8	50.8	25.4	31.8	50.8	23.9	3100 (213)	1600 (110)

45°



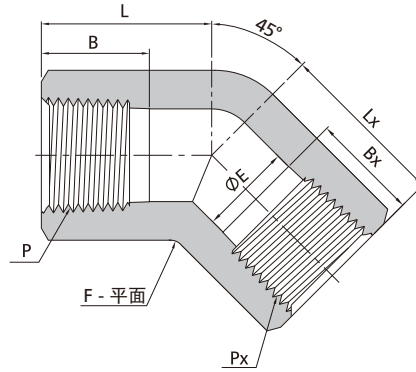
ISO			ISO								
P-RC	Px-RZ		mm							psig (bar)	
			L	F	B	E	Lx	Bx	316		
1/16	1/16	-VES-RC1-RZ1	16.8	11.1	9.9	3.0	16.8	9.7	9200 (633)	4600 (316)	
1/16	1/8	-VES-RC1-RZ2	16.8	11.1	9.9	4.8	16.8	9.7	9200 (633)	4600 (316)	
1/16	1/4	-VES-RC1-RZ4	16.8	14.3	9.9	4.8	21.8	14.2	8000 (551)	4000 (275)	
1/16	3/8	-VES-RC1-RZ6	22.4	17.5	9.9	4.8	23.8	14.2	7800 (537)	3900 (268)	
1/8	1/16	-VES-RC2-RZ1	20.2	12.7	10.4	3.0	17.2	9.7	6200 (426)	3100 (213)	
1/8	1/8	-VES-RC2-RZ2	20.2	12.7	10.4	4.8	17.2	9.7	6200 (426)	3100 (213)	
1/8	1/4	-VES-RC2-RZ4	16.8	14.3	10.4	7.1	21.8	14.2	6500 (447)	3200 (220)	
1/8	3/8	-VES-RC2-RZ6	22.4	17.5	10.4	7.1	23.8	14.2	7800 (537)	3900 (268)	
1/8	1/2	-VES-RC2-RZ8	22.2	20.6	10.4	7.1	29.0	19.1	7700 (530)	3800 (261)	
1/8	3/4	-VES-RC2-RZ12	25.4	27.0	10.4	7.1	30.5	19.1	7300 (502)	3600 (248)	
1/8	1	-VES-RC2-RZ16	26.4	34.9	10.4	7.1	49.3	23.9	5300 (365)	2600 (179)	
1/4	1/8	-VES-RC4-RZ2	25.4	17.5	15.0	4.8	19.3	9.7	7200 (496)	3600 (248)	
1/4	1/4	-VES-RC4-RZ4	25.4	17.5	15.0	7.1	19.3	14.2	7200 (496)	3600 (248)	
1/4	3/8	-VES-RC4-RZ6	25.4	17.5	15.0	8.6	23.8	14.2	7200 (496)	3600 (248)	
1/4	1/2	-VES-RC4-RZ8	22.2	20.6	15.0	8.6	29.0	19.1	7200 (496)	3600 (248)	
1/4	3/4	-VES-RC4-RZ12	25.4	27.0	15.0	8.6	30.5	19.1	7300 (502)	3600 (248)	
1/4	1	-VES-RC4-RZ16	32.0	34.9	15.0	8.6	37.6	23.9	5300 (365)	2600 (179)	
3/8	1/4	-VES-RC6-RZ4	27.0	20.6	15.0	7.1	24.2	14.2	5600 (385)	2800 (192)	
3/8	3/8	-VES-RC6-RZ6	27.0	20.6	15.0	9.6	24.2	14.2	5600 (385)	2800 (192)	
3/8	1/2	-VES-RC6-RZ8	27.0	20.6	15.0	11.9	29.0	19.1	5600 (385)	2800 (192)	
3/8	3/4	-VES-RC6-RZ12	27.0	27.0	15.0	11.9	30.5	19.1	7300 (502)	3600 (248)	
3/8	1	-VES-RC6-RZ16	32.0	34.9	15.0	11.9	37.6	23.9	5300 (365)	2600 (179)	
1/2	1/4	-VES-RC8-RZ4	32.0	25.4	19.8	7.1	25.2	14.2	5600 (385)	2800 (192)	
1/2	3/8	-VES-RC8-RZ6	32.0	25.4	19.8	9.6	25.2	14.2	5600 (385)	2800 (192)	
1/2	1/2	-VES-RC8-RZ8	32.0	25.4	19.8	11.9	32.0	19.1	5600 (385)	2800 (192)	
1/2	3/4	-VES-RC8-RZ12	32.5	27.0	19.8	15.7	30.5	19.1	5600 (385)	2800 (192)	
1/2	1	-VES-RC8-RZ16	37.6	34.9	19.8	15.7	37.6	23.9	5300 (365)	2600 (179)	
3/4	3/4	-VES-RC12-RZ12	34.5	31.8	20.6	15.7	34.5	19.1	5100 (351)	2500 (172)	
3/4	1	-VES-RC12-RZ16	37.6	34.9	20.6	22.4	37.6	23.9	5100 (351)	2500 (172)	
1	1	-VES-RC16-RZ16	46.0	42.9	25.4	22.4	46.0	23.9	5300 (365)	2600 (179)	
1 1/4	1 1/4	-VES-RC20-RZ20	50.8	50.8	25.4	31.8	50.8	23.9	3100 (213)	1600 (110)	



NPT										
P-NPT	Px-NPT		mm						psig (bar)	
			L	F	B	E	Lx	Bx	316	
1/16	1/16	-EF-FN1	21.8	11.1	9.9	4.8	21.8	9.9	6700 (460)	3300 (227)
1/8	1/16	-EF-FN2-FN1	26.4	12.7	10.4	4.8	26.4	9.9	6200 (427)	3100 (213)
1/8	1/8	-EF-FN2	26.4	12.7	10.4	7.1	26.4	10.4	6200 (427)	3100 (213)
1/4	1/8	-EF-FN4-FN2	29.7	17.5	15.0	7.1	29.7	10.4	7200 (496)	3600 (248)
1/4	1/4	-EF-FN4	29.7	17.5	15.0	10.4	29.7	15.0	7200 (496)	3600 (248)
3/8	3/8	-EF-FN6	36.1	20.6	15.0	12.7	36.1	15.0	5600 (385)	2800 (192)
1/2	1/2	-EF-FN8	39.6	25.4	19.8	17.1	39.6	19.8	5600 (385)	2800 (192)
3/4	3/4	-EF-FN12	48.8	31.8	20.6	22.4	48.8	20.6	5100 (351)	2500 (172)
1	1	-EF-FN16	48.5	42.9	25.4	28.1	48.5	25.4	6400 (440)	3200 (220)
1 1/4	1 1/4	-EF-FN20	59.8	50.8	25.4	27.7	59.8	25.4	3100 (213)	1600 (110)
1 1/2	1 1/2	-EF-FN24	65.0	63.5	27.7	34.0	65.0	27.7	5100 (351)	2500 (172)
NPT										
1/4	1/4	-EF-FN4-10K	39.6	25.4	15.0	11.4	29.7	15.0	10000 (689)	/
1/2	1/2	-EF-FN8-10K	50.0	42.9	19.8	18.5	39.6	19.8	10000 (689)	/

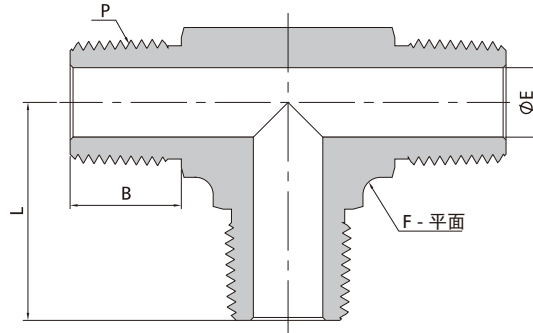
ISO										
P-RC	Px-RC		mm						psig (bar)	
			L	F	B	E	Lx	Bx	316	
1/16	1/16	-EF-RC1	21.8	11.1	9.9	4.8	21.8	9.9	6700 (460)	3300 (227)
1/8	1/16	-EF-RC2-RC1	26.4	12.7	10.4	4.8	26.4	9.9	6200 (427)	3100 (213)
1/8	1/8	-EF-RC2	26.4	12.7	10.4	7.1	26.4	10.4	6200 (427)	3100 (213)
1/4	1/8	-EF-RC4-RC2	29.7	17.5	15.0	7.1	29.7	10.4	7200 (496)	3600 (248)
1/4	1/4	-EF-RC4	29.7	17.5	15.0	10.4	29.7	15.0	7200 (496)	3600 (248)
3/8	3/8	-EF-RC6	36.1	20.6	15.0	12.7	36.1	15.0	5600 (385)	2800 (192)
1/2	1/2	-EF-RC8	39.6	25.4	19.8	17.1	39.6	19.8	5600 (385)	2800 (192)
3/4	3/4	-EF-RC12	48.8	31.8	20.6	22.4	48.8	20.6	5100 (351)	2500 (172)
1	1	-EF-RC16	48.5	42.9	25.4	28.1	48.5	25.4	6400 (440)	3200 (220)
1 1/4	1 1/4	-EF-RC20	59.8	50.8	25.4	27.7	59.8	25.4	3100 (213)	1600 (110)
1 1/2	1 1/2	-EF-RC24	65.0	63.5	27.7	34.0	65.0	27.7	5100 (351)	2500 (172)

45°



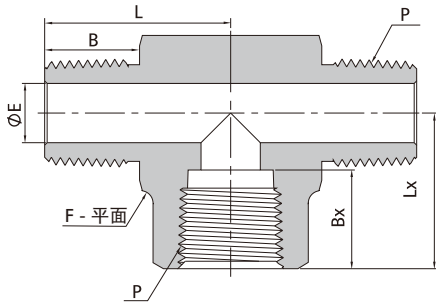
NPT										
P-NPT	Px-NPT		mm						psig (bar)	
			L	F	B	E	Lx	Bx	316	
1/16	1/16	-VEF-FN1	16.8	11.1	9.9	4.8	16.8	9.9	6700 (460)	3300 (227)
1/8	1/16	-VEF-FN2-FN1	20.2	12.7	10.4	4.8	20.2	9.9	6200 (427)	3100 (213)
1/8	1/8	-VEF-FN2	20.2	12.7	10.4	7.1	20.2	10.4	6200 (427)	3100 (213)
1/4	1/8	-VEF-FN4-FN2	25.4	17.5	15.0	7.1	25.4	10.4	7200 (496)	3600 (248)
1/4	1/4	-VEF-FN4	25.4	17.5	15.0	10.4	25.4	15.0	7200 (496)	3600 (248)
3/8	3/8	-VEF-FN6	27.0	20.6	15.0	12.7	27.0	15.0	5600 (385)	2800 (192)
1/2	1/2	-VEF-FN8	32.0	25.4	19.8	17.1	32.0	19.8	5600 (385)	2800 (192)
3/4	3/4	-VEF-FN12	34.5	31.8	20.6	22.4	34.5	20.6	5100 (351)	2500 (172)
1	1	-VEF-FN16	46.0	42.9	25.4	28.1	46.0	25.4	6400 (440)	3200 (220)
1 1/4	1 1/4	-VEF-FN20	43.2	50.8	25.4	27.7	43.2	25.4	3100 (213)	1600 (110)
1 1/2	1 1/2	-VEF-FN24	46.0	63.5	27.7	34.0	46.0	27.7	5100 (351)	2500 (172)

ISO										
P-RC	Px-RC		mm						psig (bar)	
			L	F	B	E	Lx	Bx	316	
1/16	1/16	-VEF-RC1	16.8	11.1	9.9	4.8	16.8	9.9	6700 (460)	3300 (227)
1/8	1/16	-VEF-RC2-RC1	20.2	12.7	10.4	4.8	20.2	9.9	6200 (427)	3100 (213)
1/8	1/8	-VEF-RC2	20.2	12.7	10.4	7.1	20.2	10.4	6200 (427)	3100 (213)
1/4	1/8	-VEF-RC4-RC2	25.4	17.5	15.0	7.1	25.4	10.4	7200 (496)	3600 (248)
1/4	1/4	-VEF-RC4	25.4	17.5	15.0	10.4	25.4	15.0	7200 (496)	3600 (248)
3/8	3/8	-VEF-RC6	27.0	20.6	15.0	12.7	27.0	15.0	5600 (385)	2800 (192)
1/2	1/2	-VEF-RC8	32.0	25.4	19.8	17.1	32.0	19.8	5600 (385)	2800 (192)
3/4	3/4	-VEF-RC12	34.5	31.8	20.6	22.4	34.5	20.6	5100 (351)	2500 (172)
1	1	-VEF-RC16	46.0	42.9	25.4	28.1	46.0	25.4	6400 (440)	3200 (220)
1 1/4	1 1/4	-VEF-RC20	43.2	50.8	25.4	27.7	43.2	25.4	3100 (213)	1600 (110)
1 1/2	1 1/2	-VEF-RC24	46.0	63.5	27.7	34.0	46.0	27.7	5100 (351)	2500 (172)



NPT							
P-NPT		mm				psig (bar)	
		L	F	B	E	316	
1/16	-T-MN1	18.3	9.5	9.7	3.0	11000 (757)	5500 (378)
1/8	-T-MN2	22.4	11.1	9.7	4.8	10000 (689)	5000 (344)
1/4	-T-MN4	26.7	12.7	14.2	7.1	8000 (551)	4000 (275)
3/8	-T-MN6	29.7	17.5	14.2	9.6	7800 (537)	3900 (268)
1/2	-T-MN8	36.8	20.6	19.1	11.9	7700 (530)	3800 (261)
3/4	-T-MN12	42.4	27.0	19.1	15.7	7300 (502)	3600 (248)
1	-T-MN16	49.3	34.9	23.9	22.4	5300 (365)	2600 (179)
1 1/4	-T-MN20	56.4	42.9	23.9	27.7	6000 (410)	3000 (200)
1 1/2	-T-MN24	67.1	47.6	26.2	34.0	5000 (344)	2500 (172)

ISO							
P-RZ		mm				psig (bar)	
		L	F	B	E	316	
1/16	-T-RZ1	18.3	9.5	9.7	3.0	11000 (757)	5500 (378)
1/8	-T-RZ2	22.4	11.1	9.7	4.8	10000 (689)	5000 (344)
1/4	-T-RZ4	26.7	12.7	14.2	7.1	8000 (551)	4000 (275)
3/8	-T-RZ6	29.7	17.5	14.2	9.6	7800 (537)	3900 (268)
1/2	-T-RZ8	36.8	20.6	19.1	11.9	7700 (530)	3800 (261)
3/4	-T-RZ12	42.4	27.0	19.1	15.7	7300 (502)	3600 (248)
1	-T-RZ16	49.3	34.9	23.9	22.4	5300 (365)	2600 (179)
1 1/4	-T-RZ20	56.4	42.9	23.9	27.7	6000 (410)	3000 (200)
1 1/2	-T-RZ24	67.1	47.6	26.2	34.0	5000 (344)	2500 (172)

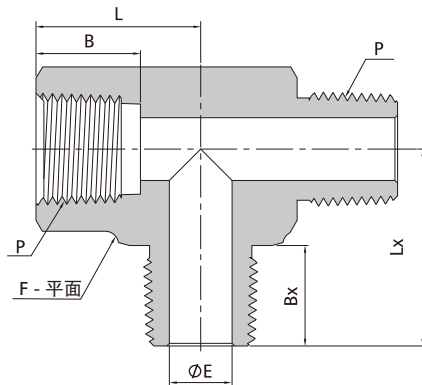


NPT

P-NPT	mm						psig (bar)	
	L	F	E	B	Lx	Bx	316	
1/16 -T-MN1-MN1-FN1	18.3	11.1	3.0	9.7	21.8	9.9	9200 (633)	4600 (316)
1/8 -T-MN2-MN2-FN2	22.1	12.7	4.8	9.7	26.4	10.4	6200 (427)	3100 (213)
1/4 -T-MN4-MN4-FN4	29.7	17.5	7.1	14.2	29.7	15.0	7200 (496)	3600 (248)
3/8 -T-MN6-MN6-FN6	32.0	20.6	9.6	14.2	36.1	15.0	5600 (385)	2800 (192)
1/2 -T-MN8-MN8-FN8	39.6	25.4	11.9	19.1	39.6	19.8	5600 (385)	2800 (192)
3/4 -T-MN12-MN12-FN12	42.4	31.8	15.7	19.1	48.8	20.6	5100 (351)	2500 (172)
1 -T-MN16-MN16-FN16	49.3	42.9	22.4	23.9	48.5	25.4	5300 (365)	2600 (179)

ISO

P-RZ	mm						psig (bar)	
	L	F	E	B	Lx	Bx	316	
1/16 -T-RZ1-RZ1-RC1	18.3	11.1	3.0	9.7	21.8	9.9	9200 (633)	4600 (316)
1/8 -T-RZ2-RZ2-RC2	22.1	12.7	4.8	9.7	26.4	10.4	6200 (427)	3100 (213)
1/4 -T-RZ4-RZ4-RC4	29.7	17.5	7.1	14.2	29.7	15.0	7200 (496)	3600 (248)
3/8 -T-RZ6-RZ6-RC6	32.0	20.6	9.6	14.2	36.1	15.0	5600 (385)	2800 (192)
1/2 -T-RZ8-RZ8-RC8	39.6	25.4	11.9	19.1	39.6	19.8	5600 (385)	2800 (192)
3/4 -T-RZ12-RZ12-RC12	42.4	31.8	15.7	19.1	48.8	20.6	5100 (351)	2500 (172)
1 -T-RZ16-RZ16-RC16	49.3	42.9	22.4	23.9	48.5	25.4	5300 (365)	2600 (179)

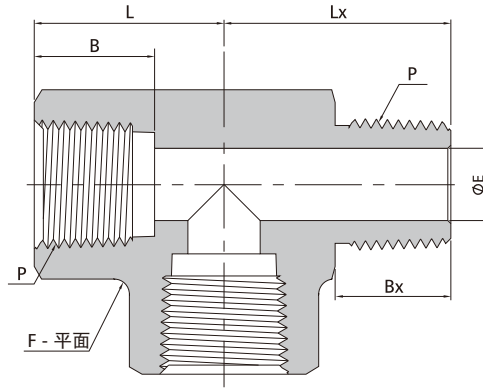


NPT

P-NPT	mm						psig (bar)	
	L	F	E	B	Lx	Bx	316	
1/16 -T-FN1-MN1-MN1	21.8	11.1	3.0	9.9	18.3	9.7	9200 (633)	4600 (316)
1/8 -T-FN2-MN2-MN2	26.4	12.7	4.8	10.4	22.1	9.7	6200 (427)	3100 (213)
1/4 -T-FN4-MN4-MN4	29.7	17.5	7.1	15.0	29.7	14.2	7200 (496)	3600 (248)
3/8 -T-FN6-MN6-MN6	36.1	20.6	9.6	15.0	32.0	14.2	5600 (385)	2800 (192)
1/2 -T-FN8-MN8-MN8	39.6	25.4	11.9	19.8	39.6	19.1	5600 (385)	2800 (192)
3/4 -T-FN12-MN12-MN12	48.8	31.8	15.7	20.6	42.4	19.1	5100 (351)	2500 (172)
1 -T-FN16-MN16-MN16	48.5	42.9	22.4	25.4	49.3	23.9	5300 (365)	2600 (179)

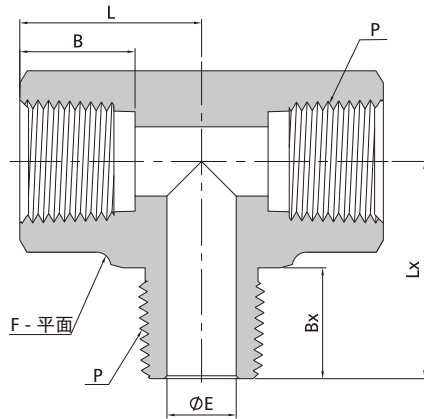
ISO

P-RC	mm						psig (bar)	
	L	F	E	B	Lx	Bx	316	
1/16 -T-RC1-RZ1-RZ1	21.8	11.1	3.0	9.9	18.3	9.7	9200 (633)	4600 (316)
1/8 -T-RC2-RZ2-RZ2	26.4	12.7	4.8	10.4	22.1	9.7	6200 (427)	3100 (213)
1/4 -T-RC4-RZ4-RZ4	29.7	17.5	7.1	15.0	29.7	14.2	7200 (496)	3600 (248)
3/8 -T-RC6-RZ6-RZ6	36.1	20.6	9.6	15.0	32.0	14.2	5600 (385)	2800 (192)
1/2 -T-RC8-RZ8-RZ8	39.6	25.4	11.9	19.8	39.6	19.1	5600 (385)	2800 (192)
3/4 -T-RC12-RZ12-RZ12	48.8	31.8	15.7	20.6	42.4	19.1	5100 (351)	2500 (172)
1 -T-RC16-RZ16-RZ16	48.5	42.9	22.4	25.4	49.3	23.9	5300 (365)	2600 (179)



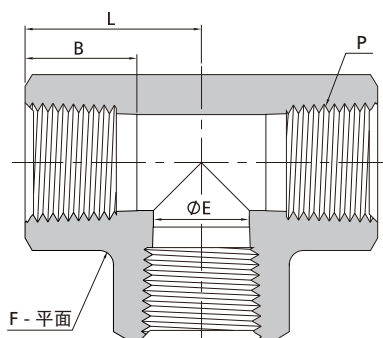
NPT									
P-NPT		mm						psig (bar)	
		L	F	E	B	Lx	Bx	316	
1/16	-T-FN1-MN1-FN1	21.8	11.1	3.0	9.9	18.3	9.7	9200 (633)	4600 (316)
1/8	-T-FN2-MN2-FN2	26.4	12.7	4.8	10.4	22.1	9.7	6200 (427)	3100 (213)
1/4	-T-FN4-MN4-FN4	29.7	17.5	7.1	15.0	29.7	14.2	7200 (496)	3600 (248)
3/8	-T-FN6-MN6-FN6	36.1	20.6	9.6	15.0	32.0	14.2	5600 (385)	2800 (192)
1/2	-T-FN8-MN8-FN8	39.6	25.4	11.9	19.8	39.6	19.1	5600 (385)	2800 (192)
3/4	-T-FN12-MN12-FN12	48.8	31.8	15.7	20.6	42.4	19.1	5100 (351)	2500 (172)
1	-T-FN16-MN16-FN16	48.5	42.9	22.4	25.4	49.3	23.9	5300 (365)	2600 (179)

ISO									
P-RC		mm						psig (bar)	
		L	F	E	B	Lx	Bx	316	
1/16	-T-RC1-RZ1-RC1	21.8	11.1	3.0	9.9	18.3	9.7	9200 (633)	4600 (316)
1/8	-T-RC2-RZ2-RC2	26.4	12.7	4.8	10.4	22.1	9.7	6200 (427)	3100 (213)
1/4	-T-RC4-RZ4-RC4	29.7	17.5	7.1	15.0	29.7	14.2	7200 (496)	3600 (248)
3/8	-T-RC6-RZ6-RC6	36.1	20.6	9.6	15.0	32.0	14.2	5600 (385)	2800 (192)
1/2	-T-RC8-RZ8-RC8	39.6	25.4	11.9	19.8	39.6	19.1	5600 (385)	2800 (192)
3/4	-T-RC12-RZ12-RC12	48.8	31.8	15.7	20.6	42.4	19.1	5100 (351)	2500 (172)
1	-T-RC16-RZ16-RC16	48.5	42.9	22.4	25.4	49.3	23.9	5300 (365)	2600 (179)



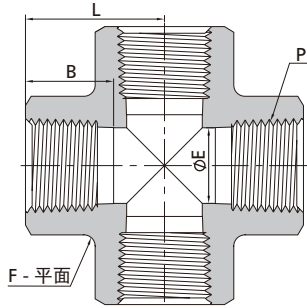
NPT									
P-NPT	mm							psig (bar)	
	L	F	E	B	Lx	Bx	316		
1/16 -T-FN1-FN1-MN1	21.8	11.1	3.0	9.9	18.3	9.7	9200 (633)	4600 (316)	
1/8 -T-FN2-FN2-MN2	26.4	12.7	4.8	10.4	22.1	9.7	6200 (427)	3100 (213)	
1/4 -T-FN4-FN4-MN4	29.7	17.5	7.1	15.0	29.7	14.2	7200 (496)	3600 (248)	
3/8 -T-FN6-FN6-MN6	36.1	20.6	9.6	15.0	32.0	14.2	5600 (385)	2800 (192)	
1/2 -T-FN8-FN8-MN8	39.6	25.4	11.9	19.8	39.6	19.1	5600 (385)	2800 (192)	
3/4 -T-FN12-FN12-MN12	48.8	31.8	15.7	20.6	42.4	19.1	5100 (351)	2500 (172)	
1 -T-FN16-FN16-MN16	48.5	42.9	22.4	25.4	49.3	23.9	5300 (365)	2600 (179)	

ISO									
P-RC	mm							psig (bar)	
	L	F	E	B	Lx	Bx	316		
1/16 -T-RC1-RC1-RZ1	21.8	11.1	3.0	9.9	18.3	9.7	9200 (633)	4600 (316)	
1/8 -T-RC2-RC2-RZ2	26.4	12.7	4.8	10.4	22.1	9.7	6200 (427)	3100 (213)	
1/4 -T-RC4-RC4-RZ4	29.7	17.5	7.1	15.0	29.7	14.2	7200 (496)	3600 (248)	
3/8 -T-RC6-RC6-RZ6	36.1	20.6	9.6	15.0	32.0	14.2	5600 (385)	2800 (192)	
1/2 -T-RC8-RC8-RZ8	39.6	25.4	11.9	19.8	39.6	19.1	5600 (385)	2800 (192)	
3/4 -T-RC12-RC12-RZ12	48.8	31.8	15.7	20.6	42.4	19.1	5100 (351)	2500 (172)	
1 -T-RC16-RC16-RZ16	48.5	42.9	22.4	25.4	49.3	23.9	5300 (365)	2600 (179)	



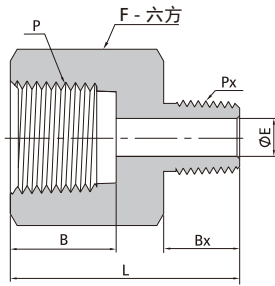
NPT							
P-NPT		mm				psig (bar)	
		L	F	E	B	316	
1/16	-T-FN1	21.8	11.1	4.8	9.9	6700 (460)	3300 (227)
1/8	-T-FN2	26.4	12.7	8.6	10.4	6200 (427)	3100 (213)
1/4	-T-FN4	29.7	17.5	11.4	15.0	7200 (496)	3600 (248)
3/8	-T-FN6	36.1	20.6	15.0	15.0	5600 (385)	2800 (192)
1/2	-T-FN8	39.6	25.4	18.5	19.8	5600 (385)	2800 (192)
3/4	-T-FN12	48.8	31.8	23.9	20.6	5100 (351)	2500 (172)
1	-T-FN16	48.5	42.9	29.7	25.4	6400 (440)	3200 (220)
1 1/4	-T-FN20	59.8	50.8	37.2	25.4	3100 (213)	1600 (110)
1 1/2	-T-FN24	65.0	63.5	43.3	27.7	5100 (351)	2500 (172)
NPT							
1/4	-T-FN4-10K	39.6	25.4	11.4	15.0	10000 (689)	/
1/2	-T-FN8-10K	50.0	27.0	18.5	19.8	10000 (689)	/

ISO							
P-RC		mm				psig (bar)	
		L	F	E	B	316	
1/16	-T-RC1	21.8	11.1	4.8	9.9	6700 (460)	3300 (227)
1/8	-T-RC2	26.4	12.7	8.6	10.4	6200 (427)	3100 (213)
1/4	-T-RC4	29.7	17.5	11.2	15.0	7200 (496)	3600 (248)
3/8	-T-RC6	36.1	20.6	14.7	15.0	5600 (385)	2800 (192)
1/2	-T-RC8	39.6	25.4	18.3	19.8	5600 (385)	2800 (192)
3/4	-T-RC12	48.8	31.8	23.9	20.6	5100 (351)	2500 (172)
1	-T-RC16	48.5	42.9	29.7	25.4	6400 (440)	3200 (220)
1 1/4	-T-RC20	59.8	50.8	37.2	25.4	3100 (213)	1600 (110)
1 1/2	-T-RC24	65.0	63.5	43.3	27.7	5100 (351)	2500 (172)

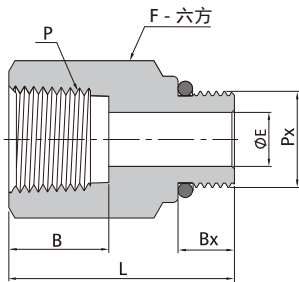


NPT								
P-NPT	mm				psig (bar)			
	L	F	E	B	316			
1/16	-C-FN1	21.8	11.1	4.8	9.9	6700 (460)		3300 (227)
1/8	-C-FN2	26.4	12.7	8.6	10.4	6200 (427)		3100 (213)
1/4	-C-FN4	29.7	17.5	11.4	15.0	7200 (496)		3600 (248)
3/8	-C-FN6	36.1	20.6	15.0	15.0	5600 (385)		2800 (192)
1/2	-C-FN8	39.6	25.4	18.5	19.8	5600 (385)		2800 (192)
3/4	-C-FN12	48.8	31.8	23.9	20.6	5100 (351)		2500 (172)
1	-C-FN16	48.5	42.9	29.7	25.4	6400 (440)		3200 (220)

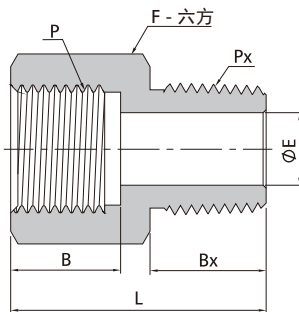
ISO								
P-RC	mm				psig (bar)			
	L	F	E	B	316			
1/16	-C-RC1	21.8	11.1	4.8	9.9	6700 (460)		3300 (227)
1/8	-C-RC2	26.4	12.7	8.6	10.4	6200 (427)		3100 (213)
1/4	-C-RC4	29.7	17.5	11.4	15.0	7200 (496)		3600 (248)
3/8	-C-RC6	36.1	20.6	15.0	15.0	5600 (385)		2800 (192)
1/2	-C-RC8	39.6	25.4	18.5	19.8	5600 (385)		2800 (192)
3/4	-C-RC12	48.8	31.8	23.9	20.6	5100 (351)		2500 (172)
1	-C-RC16	48.5	42.9	29.7	25.4	6400 (440)		3200 (220)



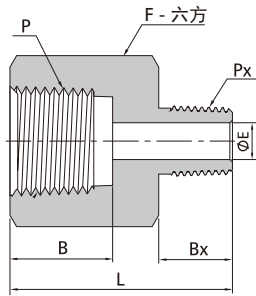
NPT					NPT				
P-NPT	Px-NPT		mm					psig (bar)	
			L	F	B	Bx	E	316	
1/8	1/16	-RA-FN2-MN1	27.7	14.3	10.4	9.7	3.0	6500 (447)	3200 (220)
1/8	1/8	-RA-FN2-MN2	27.9	14.3	10.4	9.7	4.8	6500 (447)	3200 (220)
1/4	1/16	-RA-FN4-MN1	30.5	19.1	15.0	9.7	3.0	6600 (454)	3300 (227)
1/4	1/8	-RA-FN4-MN2	32.0	19.1	15.0	9.7	4.8	6600 (454)	3300 (227)
1/4	1/4	-RA-FN4-MN4	35.6	19.1	15.0	14.2	7.1	6600 (454)	3300 (227)
3/8	1/16	-RA-FN6-MN1	31.8	22.2	15.0	9.7	3.0	5300 (365)	2600 (179)
3/8	1/8	-RA-FN6-MN2	33.8	22.2	15.0	9.7	4.8	5300 (365)	2600 (179)
3/8	1/4	-RA-FN6-MN4	38.1	22.2	15.0	14.2	7.1	5300 (365)	2600 (179)
3/8	3/8	-RA-FN6-MN6	38.4	22.2	15.0	14.2	9.6	5300 (365)	2600 (179)
1/2	1/8	-RA-FN8-MN2	40.1	27.0	19.8	9.7	4.8	4900 (337)	2400 (165)
1/2	1/4	-RA-FN8-MN4	44.7	27.0	19.8	14.2	7.1	4900 (337)	2400 (165)
1/2	3/8	-RA-FN8-MN6	44.4	27.0	19.8	14.2	9.6	4900 (337)	2400 (165)
1/2	1/2	-RA-FN8-MN8	49.3	27.0	19.8	19.1	11.9	4900 (337)	2400 (165)
3/4	1/8	-RA-FN12-MN2	39.6	33.3	20.6	9.7	4.8	4600 (316)	2300 (158)
3/4	1/4	-RA-FN12-MN4	47.0	33.3	20.6	14.2	7.1	4600 (316)	2300 (158)
3/4	3/8	-RA-FN12-MN6	46.2	33.3	20.6	14.2	9.6	4600 (316)	2300 (158)
3/4	1/2	-RA-FN12-MN8	51.3	33.3	20.6	19.1	11.9	4600 (316)	2300 (158)
3/4	3/4	-RA-FN12-MN12	51.3	33.3	20.6	19.1	15.7	4600 (316)	2300 (158)
1	1/8	-RA-FN16-MN2	46.0	41.3	25.4	9.7	4.8	4400 (303)	2200 (151)
1	1/4	-RA-FN16-MN4	49.8	41.3	25.4	14.2	7.1	4400 (303)	2200 (151)
1	3/8	-RA-FN16-MN6	50.8	41.3	25.4	14.2	9.6	4400 (303)	2200 (151)
1	1/2	-RA-FN16-MN8	54.9	41.3	25.4	19.1	11.9	4400 (303)	2200 (151)
1	3/4	-RA-FN16-MN12	55.1	41.3	25.4	19.1	15.7	4400 (303)	2200 (151)
1	1	-RA-FN16-MN16	57.9	41.3	25.4	23.9	22.4	4400 (303)	2200 (151)
1 1/4	1	-RA-FN20-MN16	62.7	54.0	25.4	23.9	22.4	5000 (344)	2500 (172)
NPT					NPT				
1/4	1/4	-RA-FN4-MN4-10K	36.3	25.4	15.0	14.2	5.8	10000 (689)	/
1/2	1/2	-RA-FN8-MN8-10K	51.3	38.1	19.8	19.1	9.9	10000 (689)	/
1/2	1/4	-RA-FN8-MN4-10K	46.0	38.1	19.8	14.2	5.8	10000 (689)	/



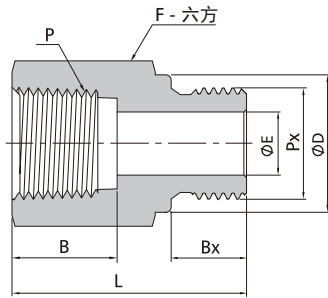
NPT					SAE/MS				
P-NPT	Px-SAE/MS		mm					psig (bar)	
			L	F	B	Bx	E	316	
1/4	7/16-20	-RA-FN4-ST7	33.5	19.1	15.0	9.1	5.1	4500 (310)	
3/8	9/16-18	-RA-FN6-ST9	35.3	23.8	15.0	9.9	7.1	4500 (310)	
1/2	3/4-16	-RA-FN8-ST12	44.7	27.0	19.8	11.2	10.7	4500 (310)	
3/4	1 1/16-12	-RA-FN12-ST17	50.5	34.9	20.6	15.0	16.8	3600 (248)	
1	1 5/16-12	-RA-FN16-ST21	53.8	41.3	25.4	15.0	21.5	2900 (199)	



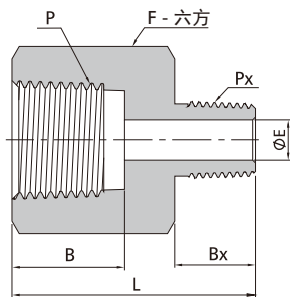
ISO					NPT				
P-FRP	Px-NPT		mm					psig (bar)	
			L	F	B	Bx	E	316	
1/8	1/8	-RA-FRP2-MN2	21.8	14.3	6.5	9.7	4.5	6100 (420)	
1/4	1/4	-RA-FRP4-MN4	30.2	19.1	12.9	14.2	5.5	5700 (392)	
3/8	3/8	-RA-FRP6-MN6	32.2	23.8	14.2	14.2	6.5	5700 (392)	
1/2	1/2	-RA-FRP8-MN8	42.7	27.0	18.8	19.1	7.0	3900 (268)	



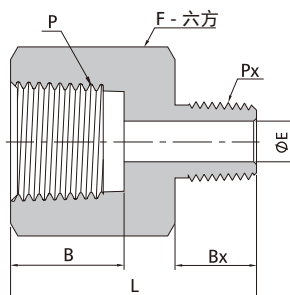
NPT		ISO							
P-NPT	Px-RZ	mm					psig (bar)		
		L	F	B	Bx	E	316		
1/8	1/8	-RA-FN2-RZ2	27.7	14.3	10.4	9.7	4.8	6500 (447)	3200 (220)
1/4	1/4	-RA-FN4-RZ4	36.1	19.1	15.0	14.2	7.1	6600 (454)	3300 (227)
3/8	3/8	-RA-FN6-RZ6	38.1	22.2	15.0	14.2	9.6	5300 (365)	2600 (179)
1/2	1/2	-RA-FN8-RZ8	49.3	27.0	19.8	19.1	11.9	4900 (337)	2400 (165)
3/4	3/4	-RA-FN12-RZ12	51.3	33.3	20.6	19.1	15.7	4600 (316)	2300 (158)
1	1	-RA-FN16-RZ16	58.4	41.3	25.4	23.9	22.4	4400 (303)	2200 (151)



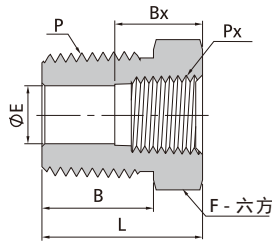
NPT		ISO								
P-NPT	Px-RS	mm					psig (bar)			
		L	F	B	Bx	D	E	316		
1/8	1/8	-RA-FN2-SRS2	25.1	14.3	9.9	7.1	13.7	4.1	6500 (447)	3200 (220)
1/4	1/4	-RA-FN4-SRS4	33.5	19.1	10.4	11.2	18.0	5.8	6600 (454)	3300 (227)
3/8	3/8	-RA-FN6-SRS6	35.8	22.2	15.0	11.2	21.6	7.9	5300 (365)	2600 (179)
1/2	1/2	-RA-FN8-SRS8	44.2	27.0	15.0	14.2	25.9	11.9	4900 (337)	2400 (165)
3/4	3/4	-RA-FN12-SRS12	48.0	33.3	20.6	15.7	32.0	15.7	4600 (316)	2300 (158)
1	1	-RA-MN16-SRS16	53.3	41.3	25.4	18.3	38.9	19.8	4400 (303)	2200 (151)



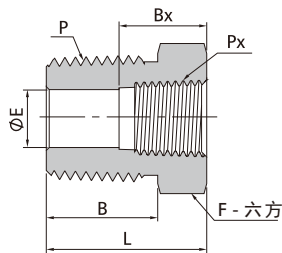
ISO		ISO							
P-RC	Px-RZ	mm					psig (bar)		
		L	F	B	Bx	E	316		
1/8	1/8	-RA-RC2-RZ2	27.7	14.3	10.4	9.7	4.8	6500 (447)	3200 (220)
1/4	1/8	-RA-RC4-RZ2	32.0	19.1	15.0	9.7	4.8	6600 (454)	3300 (227)
1/4	1/4	-RA-RC4-RZ4	36.1	19.1	15.0	14.2	7.1	6600 (454)	3300 (227)
3/8	1/4	-RA-RC6-RZ4	38.1	22.2	15.0	14.2	7.1	5300 (365)	2600 (179)
3/8	3/8	-RA-RC6-RZ6	38.1	22.2	15.0	14.2	9.7	5300 (365)	2600 (179)
1/2	1/4	-RA-RC8-RZ4	44.7	27.0	19.8	14.2	7.1	4900 (337)	2400 (165)
1/2	3/8	-RA-RC8-RZ6	44.4	27.0	19.8	14.2	9.7	4900 (337)	2400 (165)
1/2	1/2	-RA-RC8-RZ8	49.5	27.0	19.8	19.1	11.9	4900 (337)	2400 (165)
3/4	3/4	-RA-RC12-RZ12	51.3	33.3	20.6	19.1	15.7	4600 (316)	2300 (158)
1	1	-RA-RC16-RZ16	58.4	41.3	25.4	23.9	22.4	4400 (303)	2200 (151)



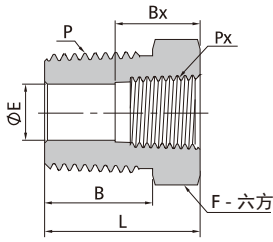
ISO		NPT							
P-RC	Px-NPT	mm					psig (bar)		
		L	F	B	Bx	E	316		
1/8	1/8	-RA-RC2-MN2	27.7	14.3	10.4	9.7	4.8	6500 (447)	3200 (220)
1/4	1/4	-RA-RC4-MN4	36.3	19.1	15.0	14.2	7.1	6600 (454)	3300 (227)
3/8	3/8	-RA-RC6-MN6	38.4	22.2	15.0	14.2	9.6	5300 (365)	2600 (179)
1/2	1/2	-RA-RC8-MN8	49.8	27.0	19.8	19.1	11.9	4900 (337)	2400 (165)
3/4	3/4	-RA-RC12-MN12	51.3	33.3	20.6	19.1	15.7	4600 (316)	2300 (158)
1	1	-RA-RC16-MN16	58.4	41.3	25.4	23.9	22.4	4400 (303)	2200 (151)



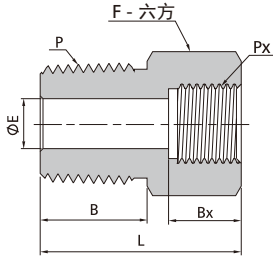
NPT					NPT					
P-NPT P _x -NPT			mm					psig (bar)		
			L	F	B	B _x	E	316		
1/8	1/16	-RB-MN2-FN1	26.2	11.1	9.7	9.9	4.8	6500 (447)	3200 (220)	
1/4	1/16	-RB-MN4-FN1	21.8	14.3	14.2	9.9	4.8	8000 (551)	4000 (275)	
1/4	1/8	-RB-MN4-FN2	26.9	14.3	14.2	10.4	7.1	6500 (447)	3300 (227)	
3/8	1/16	-RB-MN6-FN1	21.8	17.5	14.2	9.9	4.8	13300 (971)	6600 (454)	
3/8	1/8	-RB-MN6-FN2	21.8	17.5	14.2	10.4	8.6	9200 (633)	4700 (323)	
3/8	1/4	-RB-MN6-FN4	30.2	19.1	14.2	15.0	9.6	6600 (454)	3300 (227)	
1/2	1/8	-RB-MN8-FN2	27.4	22.2	19.1	10.4	8.6	12200 (840)	6200 (427)	
1/2	1/4	-RB-MN8-FN4	27.4	22.2	19.1	15.0	11.4	8300 (571)	4400 (303)	
1/2	3/8	-RB-MN8-FN6	35.8	22.2	19.1	15.0	11.9	5300 (365)	2600 (179)	
3/4	1/8	-RB-MN12-FN2	27.4	27.0	19.1	10.4	7.1	20000(1378)	10000(689)	
3/4	1/4	-RB-MN12-FN4	27.4	27.0	19.1	15.0	11.4	12000 (826)	6000 (410)	
3/4	3/8	-RB-MN12-FN6	27.4	27.0	19.1	15.0	15.0	8200 (564)	4300 (296)	
3/4	1/2	-RB-MN12-FN8	41.4	27.0	19.1	19.8	15.7	4900 (337)	2400 (165)	
1	1/8	-RB-MN16-FN2	34.5	34.9	23.9	10.4	7.1	20000(1378)	10000(689)	
1	1/4	-RB-MN16-FN4	34.8	34.9	23.9	15.0	11.4	14500 (999)	7400 (509)	
1	3/8	-RB-MN16-FN6	34.8	34.9	23.9	15.0	15.0	11600 (799)	5900 (406)	
1	1/2	-RB-MN16-FN8	34.8	34.9	23.9	19.8	18.5	8600 (592)	4300 (296)	
1	3/4	-RB-MN16-FN12	47.0	34.9	23.9	20.6	22.4	5300 (365)	2600 (179)	
1 1/4	3/4	-RB-MN20-FN12	37.3	44.5	23.9	20.6	22.4	7800 (537)	3900 (268)	
1 1/4	1	-RB-MN20-FN16	37.3	44.5	23.9	25.4	22.4	3500 (241)	1750 (120)	
1 1/2	1	-RB-MN24-FN16	40.1	50.8	26.2	25.4	22.4	6600 (454)	3300 (227)	
1 1/2	1 1/4	-RB-MN24-FN20	56.0	54.0	26.2	25.4	34.0	5000 (344)	2500 (172)	



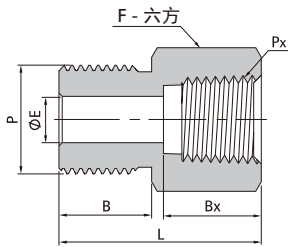
NPT					ISO					
P-NPT P-RC			mm					psig (bar)		
			L	F	B	B _x	E	316		
1/8	1/16	-RB-MN2-RC1	26.2	11.1	9.7	9.9	4.8	6500 (447)	3200 (220)	
1/4	1/16	-RB-MN4-RC1	21.8	14.3	14.2	9.9	4.8	8000 (551)	4000 (275)	
1/4	1/8	-RB-MN4-RC2	26.9	14.3	14.2	10.4	7.1	6500 (447)	3300 (227)	
3/8	1/16	-RB-MN6-RC1	21.8	17.5	14.2	9.9	4.8	13300 (917)	6600 (454)	
3/8	1/8	-RB-MN6-RC2	21.8	17.5	14.2	10.4	7.1	9200 (633)	4700 (323)	
3/8	1/4	-RB-MN6-RC4	30.2	19.1	14.2	15.0	9.7	6600 (454)	3300 (227)	
1/2	1/8	-RB-MN8-RC2	27.4	22.2	19.1	10.4	7.1	12200 (840)	6200 (427)	
1/2	1/4	-RB-MN8-RC4	27.4	22.2	19.1	15.0	10.4	8300 (571)	4400 (303)	
1/2	3/8	-RB-MN8-RC6	35.8	22.2	19.1	15.0	11.9	5300 (365)	2600 (179)	
3/4	1/8	-RB-MN12-RC2	27.4	27.0	19.1	10.4	7.1	20000 (1378)	10000 (689)	
3/4	1/4	-RB-MN12-RC4	27.4	27.0	19.1	15.0	10.4	12000 (826)	6000 (410)	
3/4	3/8	-RB-MN12-RC6	27.4	27.0	19.1	15.0	12.7	8200 (564)	4300 (296)	
3/4	1/2	-RB-MN12-RC8	41.4	27.0	19.1	19.8	15.7	4900 (337)	2400 (165)	
1	1/8	-RB-MN16-RC2	34.5	34.9	23.9	10.4	7.1	20000 (1378)	10000 (689)	
1	1/4	-RB-MN16-RC4	34.8	34.9	23.9	15.0	10.4	14500 (999)	7400 (509)	
1	3/8	-RB-MN16-RC6	34.8	34.9	23.9	15.0	12.7	11600 (799)	5900 (406)	
1	1/2	-RB-MN16-RC8	34.8	34.9	23.9	19.8	15.7	8600 (592)	4300 (296)	
1	3/4	-RB-MN16-RC12	47.0	34.9	23.9	20.6	22.4	5300 (365)	2600 (179)	
1 1/4	3/4	-RB-MN20-RC12	37.3	44.5	23.9	20.6	22.4	7800 (537)	3900 (268)	
1 1/4	1	-RB-MN20-RC16	37.3	44.5	23.9	25.4	22.4	3500 (241)	1750 (120)	
1 1/2	1	-RB-MN24-RC16	40.1	50.8	26.2	25.4	22.4	6600 (454)	3300 (227)	
1 1/2	1 1/4	-RB-MN24-RC20	56.0	54.0	26.2	25.4	34.0	5000 (344)	2500 (172)	



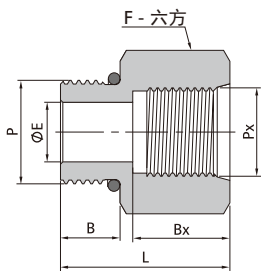
ISO			ISO							
P-RZ	Px-RC		mm					psig (bar)		
			L	F	B	Bx	E	316		
1/4	1/8	-RB-RZ4-RC2	26.9	14.3	14.2	10.4	7.1	6500 (447)	3200 (220)	
3/8	1/4	-RB-RZ6-RC4	30.2	19.1	14.2	15.0	9.6	6600 (454)	3300 (227)	
1/2	1/4	-RB-RZ8-RC4	27.4	22.2	19.1	15.0	11.2	8300 (571)	4400 (303)	
1/2	3/8	-RB-RZ8-RC6	35.8	22.2	19.1	15.0	11.9	5300 (365)	2600 (179)	



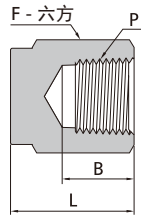
NPT			ISO							
P-RT	Px-RG		mm					psig (bar)		
			L	F	B	Bx	E	316		
3/8	1/4	-RB-MN6-FRP4	30.2	19.1	14.2	12.9	5.6	5700 (392)		
1/2	3/8	-RB-MN8-FRP6	35.8	22.2	19.1	14.2	6.6	5700 (392)		
3/4	1/2	-RB-MN12-FRP8	41.4	27.0	19.1	18.8	7.1	3900 (268)		



ISO			NPT							
P-SRG	Px-NPT		mm					psig (bar)		
			L	F	B	Bx	E	316		
1/4	1/8	-RB-SRG4-FN2	26.9	14.3	12.9	10.4	4.5	6500 (447)	3200 (220)	
3/8	1/4	-RB-SRG6-FN4	31.0	19.1	14.2	15	7.1	6600 (454)	3300 (227)	
1/2	3/8	-RB-SRGP8-FN6	35.8	22.2	18.8	15	6.6	5300 (365)	2600 (179)	

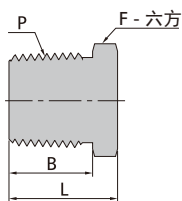


SAE/MS			SAE/MS							
P-SAE/MS	Px-SAE/MS		mm					psig (bar)		
			L	F	B	Bx	E	316		
9/16-18	7/16-20	-RB-ST9-FST7	28.4	20.6	9.9	14.0	7.1	4500 (310)		
3/4-16	7/16-20	-RB-ST12-FST7	24.9	22.2	11.2	14.0	9.9	4500 (310)		
3/4-16	9/16-18	-RB-ST12-FST9	30.2	25.4	11.2	16.0	10.7	4500 (310)		
7/8-14	9/16-18	-RB-ST14-FST9	27.9	25.4	12.7	16.0	12.7	3600 (248)		
7/8-14	3/4-16	-RB-ST14-FST12	36.1	30.2	12.7	18.0	12.7	3600 (248)		
1 1/16-12	3/4-16	-RB-ST17-FST12	32.3	31.8	15.0	18.0	16.5	3600 (248)		
1 5/16-12	1 1/16-12	-RB-ST21-FST17	40.9	41.3	15.0	24.0	22.1	2900 (199)		
1 5/8-12	1 5/16-12	-RB-ST26-FST21	50.3	54.0	15.0	24.0	27.7	2300 (158)		
1 7/8-12	1 5/16-12	-RB-ST30-FST21	50.3	54.0	15.0	24.0	31.2	2300 (158)		



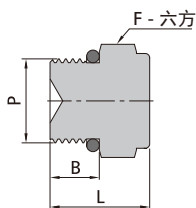
NPT							
P-NPT		mm			psig (bar)		
		L	F	B	316		
1/16	-HFC-FN1	12.7	11.1	9.9	6700 (460)	3300 (227)	
1/8	-HFC-FN2	19.1	14.3	10.4	6500 (447)	3200 (220)	
1/4	-HFC-FN4	23.1	19.1	15.0	6600 (454)	3300 (277)	
3/8	-HFC-FN6	26.2	22.2	15.0	5300 (365)	2600 (179)	
1/2	-HFC-FN8	34.0	27.0	19.8	4900 (337)	2400 (165)	
3/4	-HFC-FN12	36.6	33.3	20.6	4600 (316)	2300 (158)	
1	-HFC-FN16	41.1	41.3	25.4	4400 (303)	2200 (151)	
NPT							
1/4	-HFC-FN4-10K	28.2	25.4	15.0	10000 (689)	/	
1/2	-HFC-FN8-10K	40.1	38.1	19.8	10000 (689)	/	

ISO							
P-NPT		mm			psig (bar)		
		L	F	B	316		
1/16	-HFC-RC1	12.7	11.1	9.9	6700 (460)	3300 (227)	
1/8	-HFC-RC2	19.1	14.3	10.4	6500 (447)	3200 (220)	
1/4	-HFC-RC4	23.1	19.1	15.0	6600 (454)	3300 (277)	
3/8	-HFC-RC6	26.2	22.2	15.0	5300 (365)	2600 (179)	
1/2	-HFC-RC8	34.0	27.0	19.8	4900 (337)	2400 (165)	
3/4	-HFC-RC12	36.6	33.3	20.6	4600 (316)	2300 (158)	
1	-HFC-RC16	41.1	41.3	25.4	4400 (303)	2200 (151)	

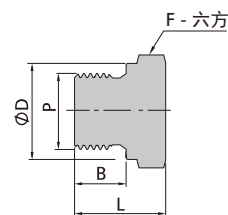


NPT					
P-NPT		mm			
		L	F	B	
1/16	-HMP-MN1	14.2	7.9	9.7	
1/8	-HMP-MN2	14.2	11.1	9.7	
1/4	-HMP-MN4	19.1	14.3	14.2	
3/8	-HMP-MN6	19.8	17.5	14.2	
1/2	-HMP-MN8	24.6	22.2	19.1	
3/4	-HMP-MN12	30.7	27.0	19.1	
1	-HMP-MN16	38.1	34.9	23.9	
1 1/4	-HMP-MN20	38.4	44.5	23.9	
1 1/2	-HMP-MN24	43.7	50.8	26.2	
2	-HMP-MN32	50.8	69.9	26.2	

ISO					
P-RZ		mm			
		L	F	B	
1/16	-HMP-RZ1	14.2	7.9	9.7	
1/8	-HMP-RZ2	14.2	11.1	9.7	
1/4	-HMP-RZ4	19.1	14.3	14.2	
3/8	-HMP-RZ6	19.8	17.5	14.2	
1/2	-HMP-RZ8	24.6	22.2	19.1	
3/4	-HMP-RZ12	30.7	27.0	19.1	
1	-HMP-RZ16	38.1	34.9	23.9	
1 1/4	-HMP-RZ20	38.4	44.5	23.9	
1 1/2	-HMP-RZ24	43.7	50.8	26.2	
2	-HMP-RZ32	50.8	69.9	26.2	

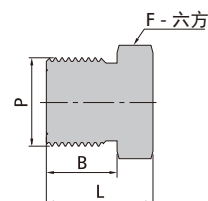


SAE/MS					
P-SAE/MS		mm			
		L	F	B	
7/16-20	-HMP-ST7	19.3	14.3	9.1	
9/16-18	-HMP-ST9	20.8	17.5	9.9	
3/4-16	-HMP-ST12	22.6	22.2	11.2	
1 1/16-12	-HMP-ST17	28.4	31.8	15.0	
1 5/16-12	-HMP-ST21	30.0	38.1	15.0	



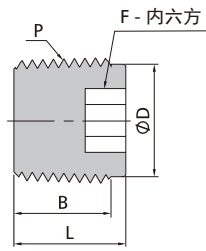
ISO					
P-SRS		mm			
		L	F	B	D
1/8	-HMP-SRS2	14.0	14.3	7.1	13.7
1/4	-HMP-SRS4	19.8	19.1	11.2	18.0
3/8	-HMP-SRS6	19.8	22.2	11.2	21.8
1/2	-HMP-SRS8	25.1	27.0	14.0	25.9
3/4	-HMP-SRS12	28.7	33.3	15.7	32.0
1	-HMP-SRS16	30.7	41.3	18.0	39.1

P-		mm			
		L	F	B	D
M14 x 1.5	-HMP-MRS14	21.0	20.6	12	18.8
M16 x 1.5	-HMP-MRS16	23.0	22.2	12	20.8
M18 x 1.5	-HMP-MRS18	25.0	23.8	12	22.8
M20 x 1.5	-HMP-MRS20	26.5	25.4	14	24.8
M22 x 1.5	-HMP-MRS22	28.5	28.6	14	26.8
M24 x 1.5	-HMP-MRS24	29.0	35.0	14	28.8
M27 x 2	-HMP-MRS27	30.0	36.5	16	31.8

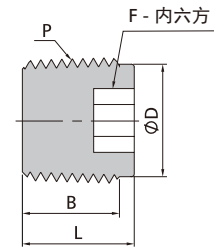


P-		mm			
		L	F	B	
M14 x 1.5	-HMP-MRG14	18	16	13	
M16 x 1.5	-HMP-MRG16	20	18	14	
M18 x 1.5	-HMP-MRG18	22	19	15	
M20 x 1.5	-HMP-MRG20	24	22	16	
M22 x 1.5	-HMP-MRG22	26	24	17	
M24 x 1.5	-HMP-MRG24	26	27	17	
M27 x 2	-HMP-MRG27	27	30	18	
M30 x 2	-HMP-MRG30	32	32	20	

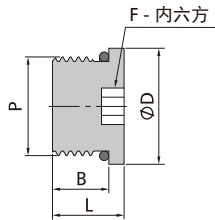
尺寸仅供参考，可能会有变更。



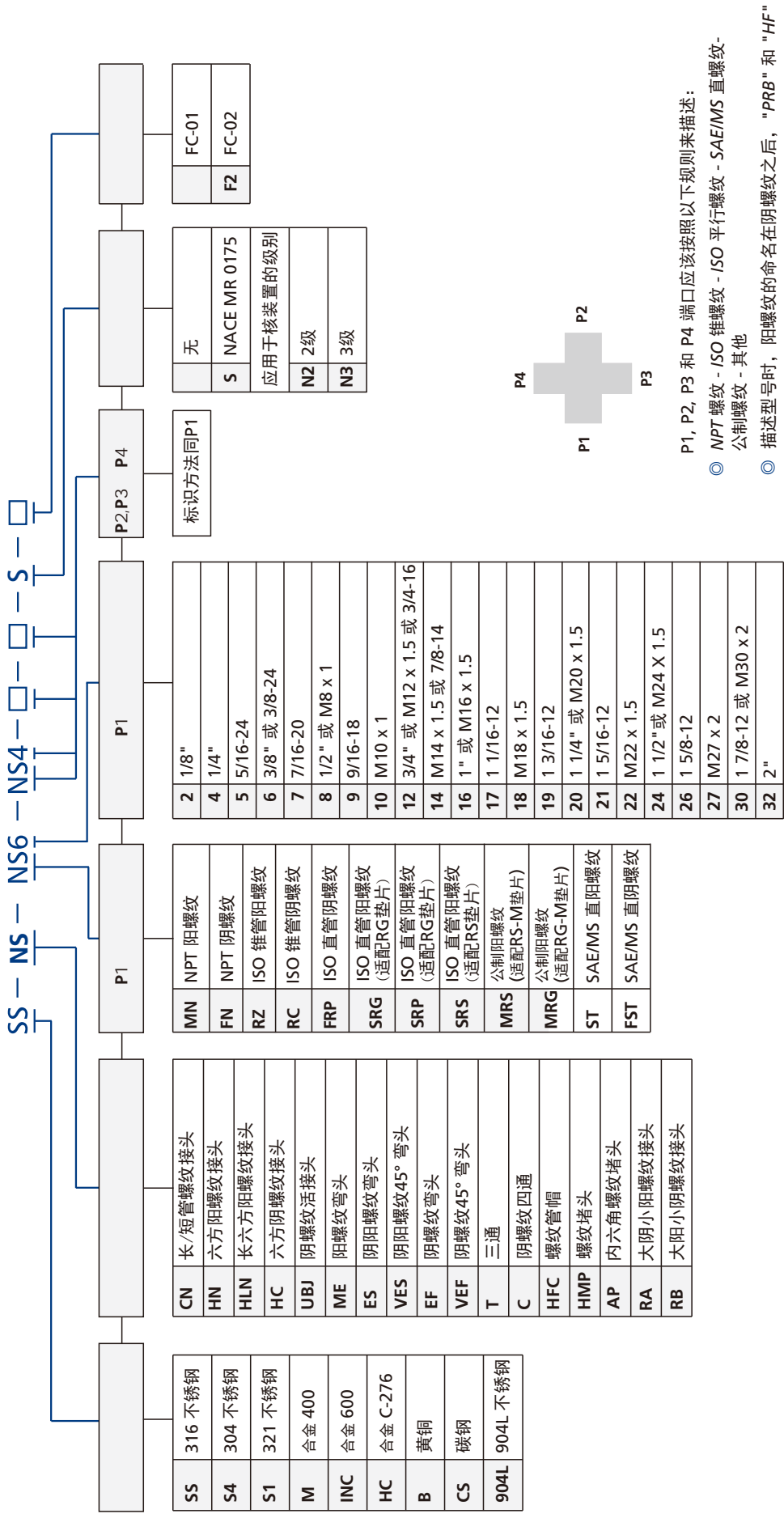
NPT					
P-NPT		mm			
		L	F	B	D
1/16	-AP-MN1	7.6	4.0	7.4	7.4
1/8	-AP-MN2	10.4	4.8	7.4	9.4
1/4	-AP-MN4	15.5	6.4	12.4	12.1
3/8	-AP-MN6	15.0	7.9	11.9	15.7
1/2	-AP-MN8	19.3	9.5	16.2	19.3
3/4	-AP-MN12	19.8	14.3	16.7	25.7
1	-AP-MN16	20.8	15.9	17.7	31.8



ISO						
P-RZ		mm				
		L	F	B	D	
1/16	-AP-RZ1	7.6	4.0	7.4	7.4	
1/8	-AP-RZ2	10.4	4.8	7.4	9.4	
1/4	-AP-RZ4	15.5	6.4	12.4	12.1	
3/8	-AP-RZ6	15.5	7.9	12.4	15.7	
1/2	-AP-RZ8	19.3	9.5	16.2	19.3	
3/4	-AP-RZ12	19.8	14.3	16.7	25.7	
1	-AP-RZ16	20.8	15.9	17.7	31.8	



SAE/MS					
P-SAE/MS		mm			
		L	F	B	D
7/16-20	-AP-ST7	11.4	4.8	9.1	14.2
9/16-18	-AP-ST9	12.2	6.4	9.9	17.5
3/4-16	-AP-ST12	14.2	7.9	11.2	22.4
1 1/16-12	-AP-ST17	19.1	14.3	15.0	31.8
1 5/16-12	-AP-ST21	19.1	15.9	15.0	38.1



- P1, P2, P3 和 P4 端口应该按照以下规则来描述:
- ◎ NPT 螺纹 - ISO 锥螺纹 - ISO 平行螺纹 - SAE/MS 直螺纹 - 公制螺纹 - 其他
 - ◎ 描述型号时, 阳螺纹的命名在阴螺纹之后, "PRB" 和 "HF" 型号除外
 - ◎ 接头类型相同时, 按照接头尺寸从大到小的顺序描述
 - ◎ 如果所有接头的类型和尺寸都相同, 只需描述P1端口。清洗和包装:
- FC-01: 一般工业用的标准清洗和包装。
FC-02: 浸润系统组件的特殊清洗和包装, 应符合ASTM G93 C 清洁要求。

FOLOKTM

深圳市福洛克科技有限公司

地址：深圳市光明新区观光路第三工业区12号
星光华工业园B栋5楼B

电话：(86)-755-83755805 83755806

传真：(86)-755-83755022

邮编：518107

网址：www.folokinc.com